

Trinity Glass International

OPAQUE FIBERGLASS DOOR

NON-IMPACT INSWING/OUTSWING

INSTALLATION NOTES:

1. ONE (1) INSTALLATION ANCHOR IS REQUIRED AT EACH ANCHOR LOCATION SHOWN.
2. THE NUMBER OF INSTALLATION ANCHORS DEPICTED IS THE MINIMUM NUMBER OF ANCHORS TO BE USED FOR PRODUCT INSTALLATION OF THE MAXIMUM SIZE LISTED.
3. INSTALL INDIVIDUAL INSTALLATION ANCHORS WITHIN A TOLERANCE OF ±1/2 INCH (I.E., WITHOUT CONSIDERATION OF TOLERANCES), TOLERANCES ARE NOT CUMULATIVE FROM ONE INSTALLATION ANCHOR TO THE NEXT.
4. SHIM AS REQUIRED AT EACH INSTALLATION ANCHOR WITH LOAD BEARING SHIM(S). MAXIMUM ALLOWABLE SHIM STACK TO BE 1/4 INCH. SHIM WHERE SPACE OF 1/16 INCH OR GREATER OCCURS. SHIM(S) SHALL BE CONSTRUCTED OF HIGH DENSITY PLASTIC OR BETTER.
5. THROUGH FRAME: FOR INSTALLATION INTO 2X WOOD FRAMING USE MINIMUM #10 WOOD SCREWS OF SUFFICIENT LENGTH TO ACHIEVE 1 1/2" MINIMUM EMBEDMENT INTO WOOD SUBSTRATE. MINIMUM EDGE DISTANCE OF 3/4" SHALL BE MAINTAINED.
6. THROUGH FRAME: FOR INSTALLATION INTO CONCRETE/MASONRY, USE 1/4" ITW TAPCONS OR 1/4" ELCO ULTRACONS OR 3/16" ITW TAPCONS OF SUFFICIENT LENGTH TO ACHIEVE 1 1/4" MINIMUM EMBEDMENT INTO CONCRETE/MASONRY.
7. MINIMUM EMBEDMENT AND EDGE DISTANCE EXCLUDE WALL FINISHES, INCLUDING BUT NOT LIMITED TO STUCCO, FOAM, BRICK VENEER, AND SIDING.
8. INSTALLATION ANCHORS AND ASSOCIATED HARDWARE MUST BE MADE OF CORROSION RESISTANT MATERIAL OR HAVE A CORROSION RESISTANT COATING.
9. FOR HOLLOW BLOCK AND GROUT FILLED BLOCK, DO NOT INSTALL INSTALLATION ANCHORS INTO MORTAR JOINTS. EDGE DISTANCE IS MEASURED FROM FREE EDGE OF BLOCK OR EDGE OF MORTAR JOINT INTO FACE SHELL OF BLOCK.
10. INSTALLATION ANCHORS SHALL BE INSTALLED IN ACCORDANCE WITH ANCHOR MANUFACTURER'S INSTALLATION INSTRUCTIONS, AND ANCHORS SHALL NOT BE USED IN SUBSTRATES WITH STRENGTHS LESS THAN THE MINIMUM STRENGTH SPECIFIED BY THE ANCHOR MANUFACTURER.
11. INSTALLATION ANCHOR CAPACITIES FOR PRODUCTS HEREIN ARE BASED ON SUBSTRATE MATERIALS WITH THE FOLLOWING PROPERTIES:
 - A. WOOD - MINIMUM SPECIFIC GRAVITY OF 0.55.
 - B. CONCRETE - MINIMUM 3000 PSI COMPRESSIVE STRENGTH
 - C. HOLLOW/GROUT FILLED CMU - STRENGTH CONFORMANCE TO ASTM C90, MIN. F'm = 2000 PSI.

GENERAL NOTES:

1. THE PRODUCT SHOWN HEREIN IS DESIGNED AND MANUFACTURED TO COMPLY WITH THE CURRENT FLORIDA BUILDING CODE (FBC), INCLUDING HVHZ AND HAS BEEN EVALUATED ACCORDING TO THE FOLLOWING:
 - TAS 202-94
 - ASTM E283-04
 - ASTM E330-02
 - ASTM E331-00
 - AAMA 1304-02
2. ADEQUACY OF THE EXISTING STRUCTURAL CONCRETE/MASONRY AND 2X FRAMING AS A MAIN WIND FORCE RESISTING SYSTEM CAPABLE OF WITHSTANDING AND TRANSFERRING APPLIED PRODUCT LOADS TO THE FOUNDATION IS THE RESPONSIBILITY OF THE ENGINEER OR ARCHITECT OF RECORD FOR THE PROJECT OF INSTALLATION.
3. 1X AND 2X BUCKS (WHEN USED) SHALL BE DESIGNED AND ANCHORED TO PROPERLY TRANSFER ALL LOADS TO THE STRUCTURE. BUCK DESIGN AND INSTALLATION IS THE RESPONSIBILITY OF THE ENGINEER OR ARCHITECT OF RECORD FOR THE PROJECT OF INSTALLATION.
4. THE INSTALLATION DETAILS DESCRIBED HEREIN ARE GENERIC AND MAY NOT REFLECT ACTUAL CONDITIONS FOR A SPECIFIC SITE. IF SITE CONDITIONS CAUSE INSTALLATION TO DEVIATE FROM THE REQUIREMENTS DETAILED HEREIN, A LICENSED ENGINEER OR ARCHITECT SHALL PREPARE SITE SPECIFIC DOCUMENTS FOR USE WITH THIS DOCUMENT IN NON-HVHZ AREAS.
5. APPROVED IMPACT PROTECTIVE SYSTEM **IS REQUIRED** FOR THIS PRODUCT.
6. FRAME & MULLION MATERIAL: PVC OR WOOD
7. CLADDING MATERIAL: FIBERGLASS

TABLE OF CONTENTS	
SHEET #	DESCRIPTION
1	General notes
2	Typical elevations, design pressures
3	Typical elevations, design pressures
4	Typical elevations, design pressures
5	Typical elevations, design pressures
6	Door panel construction details
7	Sidelite panel construction details
8	Horizontal cross sections
9	Horizontal cross sections
10	Horizontal cross sections
11	Vertical cross sections
12	Vertical cross sections
13	Vertical & Horizontal cross sections
14	Horizontal cross sections
15	Buck anchoring
16	Frame anchoring
17	Buck anchoring
18	Frame anchoring
19	Frame anchoring
20	Frame anchoring
21	Frame anchoring
22	Buck anchoring
23	Frame anchoring
24	Buck anchoring
25	Frame anchoring
26	Components
27	Components
28	Bill of materials

 TITLE: OPAQUE FIBERGLASS DOOR
 NON-IMP. INSWING/OUTSWING

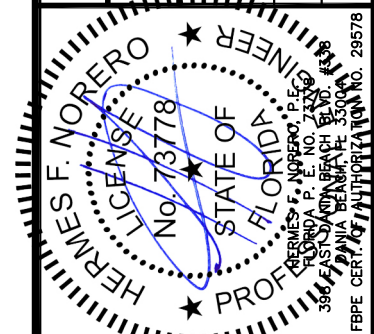
GENERAL NOTES

PREPARED BY:

 BUILDING DROPS, INC.
 398 E. DANIA BEACH BLVD. #338
 DANIA BEACH, FL 33004
 PH: (954) 399-8478 FX: (954) 744-4738

REVISIONS

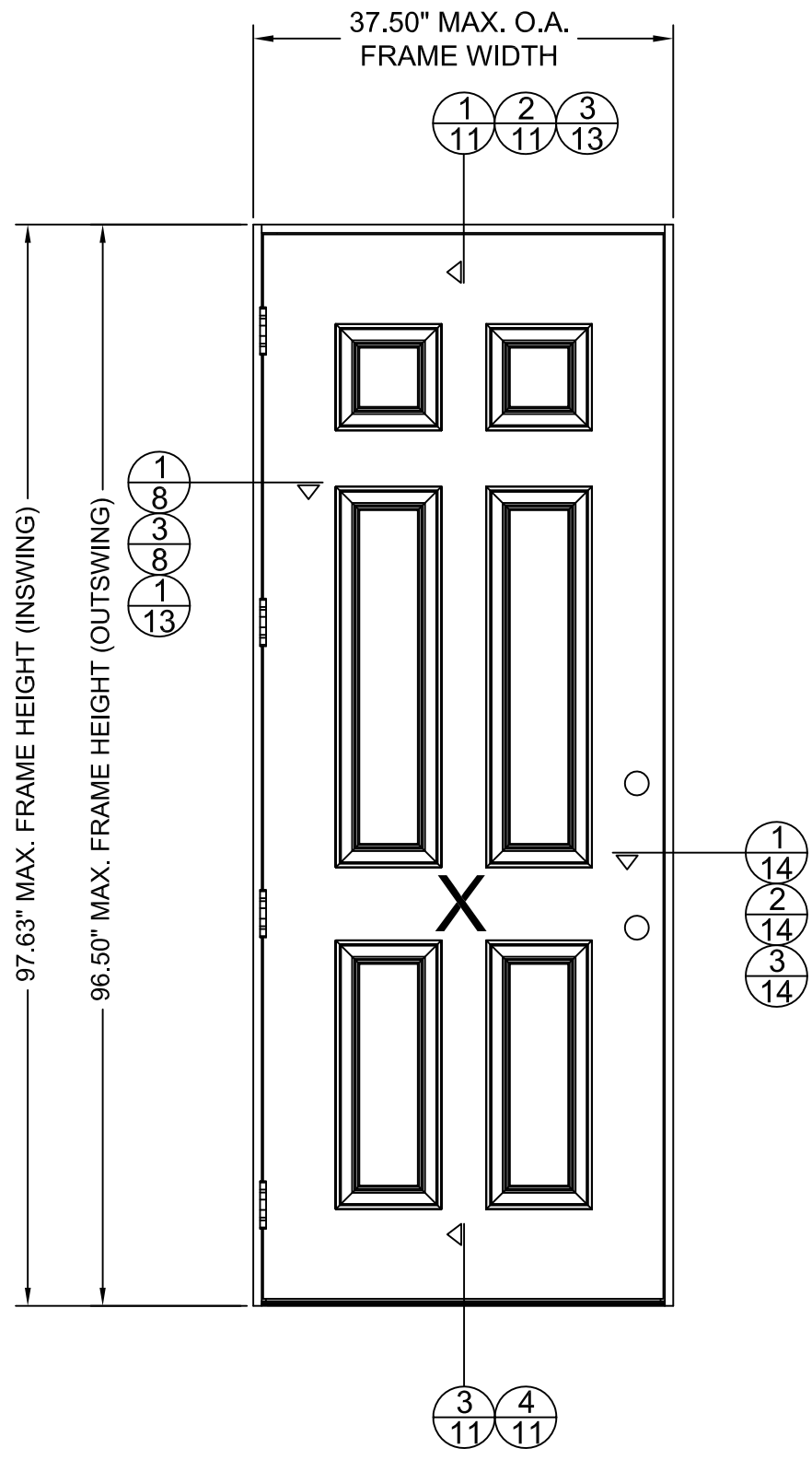
NO.	DESCRIPTION	BY	DATE



DATE: 07.14.16	DWN BY: LS	CHK BY: HFN	SCALE: NTS
-------------------	---------------	----------------	---------------

 DWG #:
FL-20867.6

 SHEET: **1 OF 28**



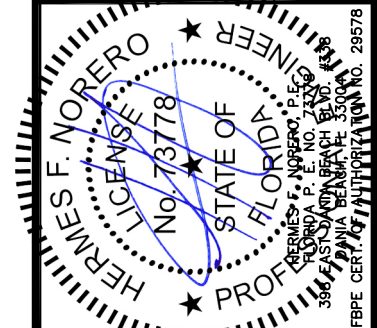
MAX. FRAME DIMENSION	DESIGN PRESSURE (PSF)	
	POSITIVE	NEGATIVE
37.50" X 97.63"	+70.0	-70.0



TRINITY GLASS INTERNATIONAL
 3365 1ST WAY S
 FEDERAL WAY, WA 98003
 PH: (253) 875-7300

TITLE: OPAQUE FIBERGLASS DOOR
 NON-IMP. INSWING/OUTSWING
 TYPICAL ELEVATION AND
 DESIGN PRESSURE
 PREPARED BY:
 BUILDING DROPS, INC.
 398 E. DANIA BEACH BLVD. #338
 DANIA BEACH, FL 33004
 PH: (954) 399-8478 FX: (954) 744-4738

REVISIONS		
NO.	DESCRIPTION	BY DATE



DATE: 07.14.16
 DWN BY: LS
 CHK BY: HFN
 SCALE: NTS

DWG #:
FL-20867.6

SHEET: **2 OF 28**

TITLE: OPAQUE FIBERGLASS DOOR
NON-IMP. INSWING/OUTSWING

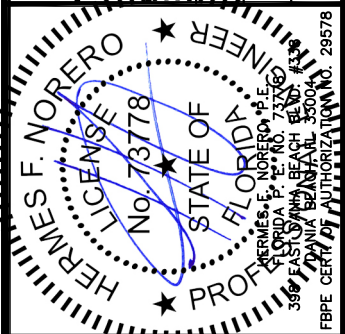
TYPICAL ELEVATION AND
DESIGN PRESSURE

PREPARED BY:

BUILDING DROPS, INC.
398 E. DANIA BEACH BLVD. #338
DANIA BEACH, FL 33004
PH: (954) 399-8478 FX: (954) 744-4738

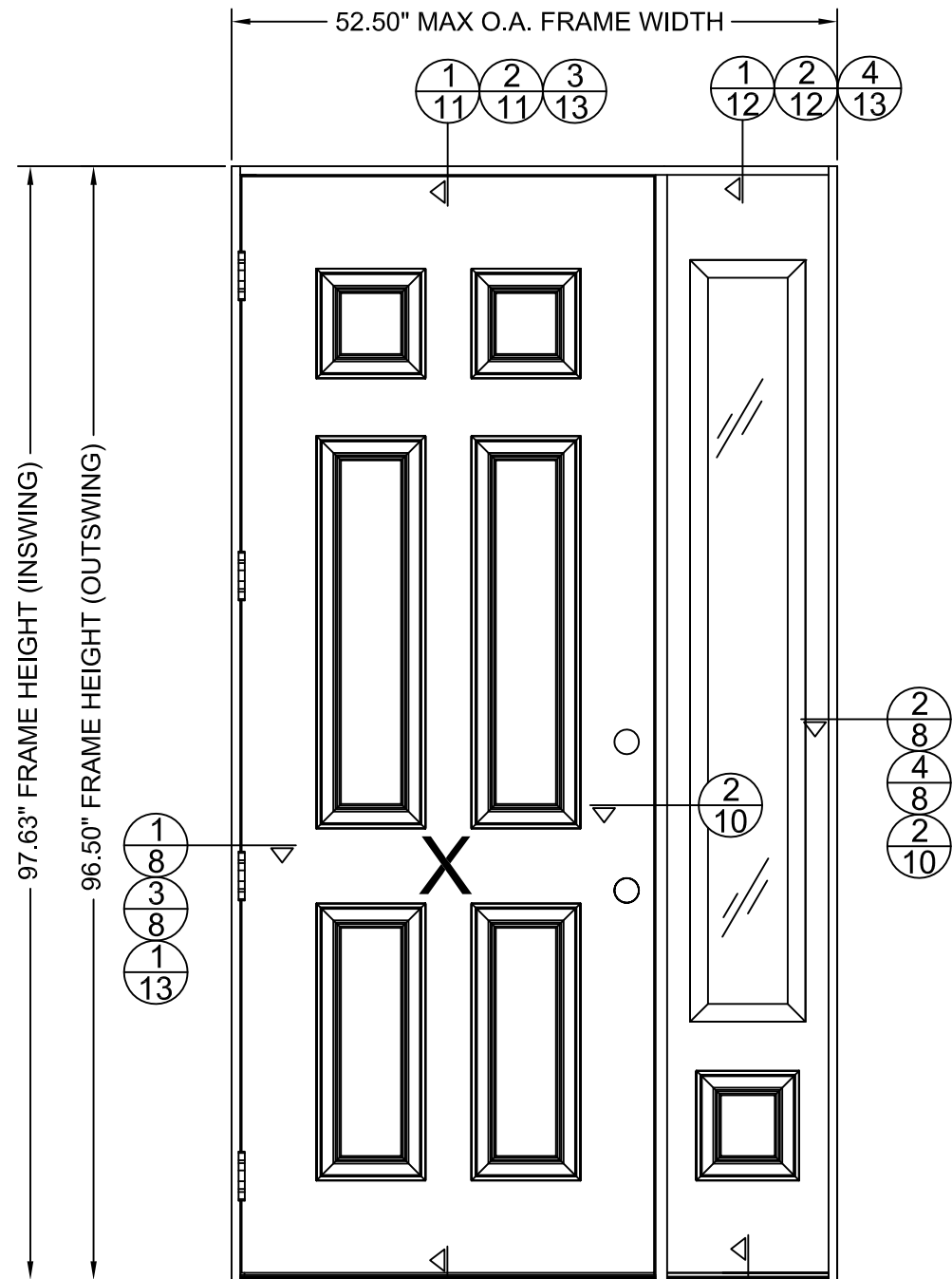
REVISIONS

NO.	DESCRIPTION	BY	DATE

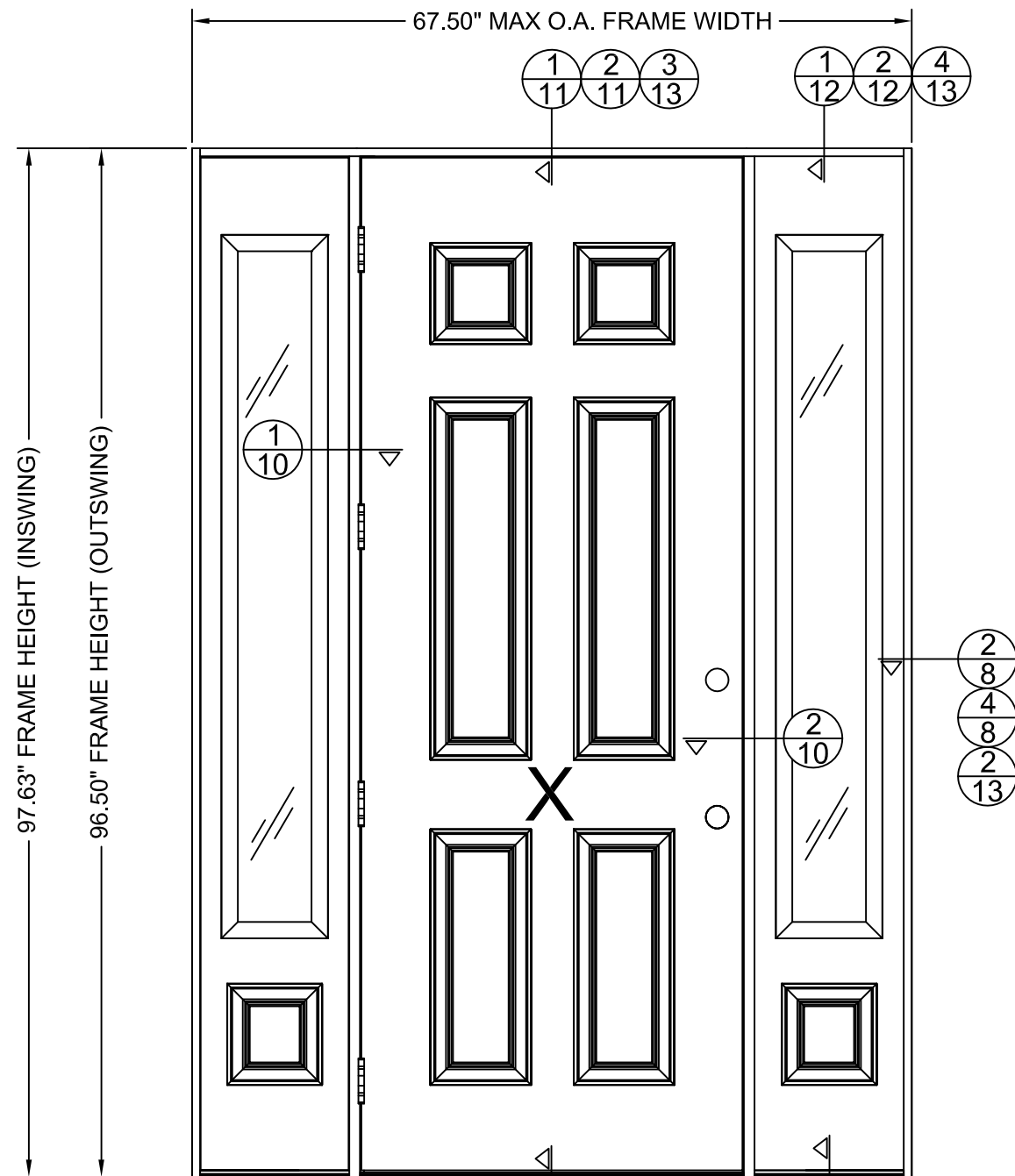


DATE: 07.14.16
DWN BY: LS
CHK BY: HFN
SCALE: NTS

DWG #:
FL-20867.6
SHEET: **3 OF 28**



CONTINUOUS HEADER AND SILL



CONTINUOUS HEADER AND SILL

CONFIGURATION	MAX. FRAME DIMENSION	DESIGN PRESSURE (PSF)	
		POSITIVE	NEGATIVE
OXIXO	52.50" X 97.63"	+47.0	-47.0
OXO	67.50" X 97.63"	+47.0	-47.0

TITLE: OPAQUE FIBERGLASS DOOR
NON-IMP. INSWING/OUTSWING

TYPICAL ELEVATION AND
DESIGN PRESSURE

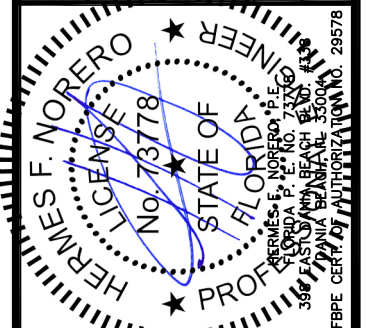
PREPARED BY:

BUILDING DROPS, INC.
398 E. DANIA BEACH BLVD. #338
DANIA BEACH, FL 33004

PH: (954) 399-8478 FX: (954) 744-4738

REVISIONS

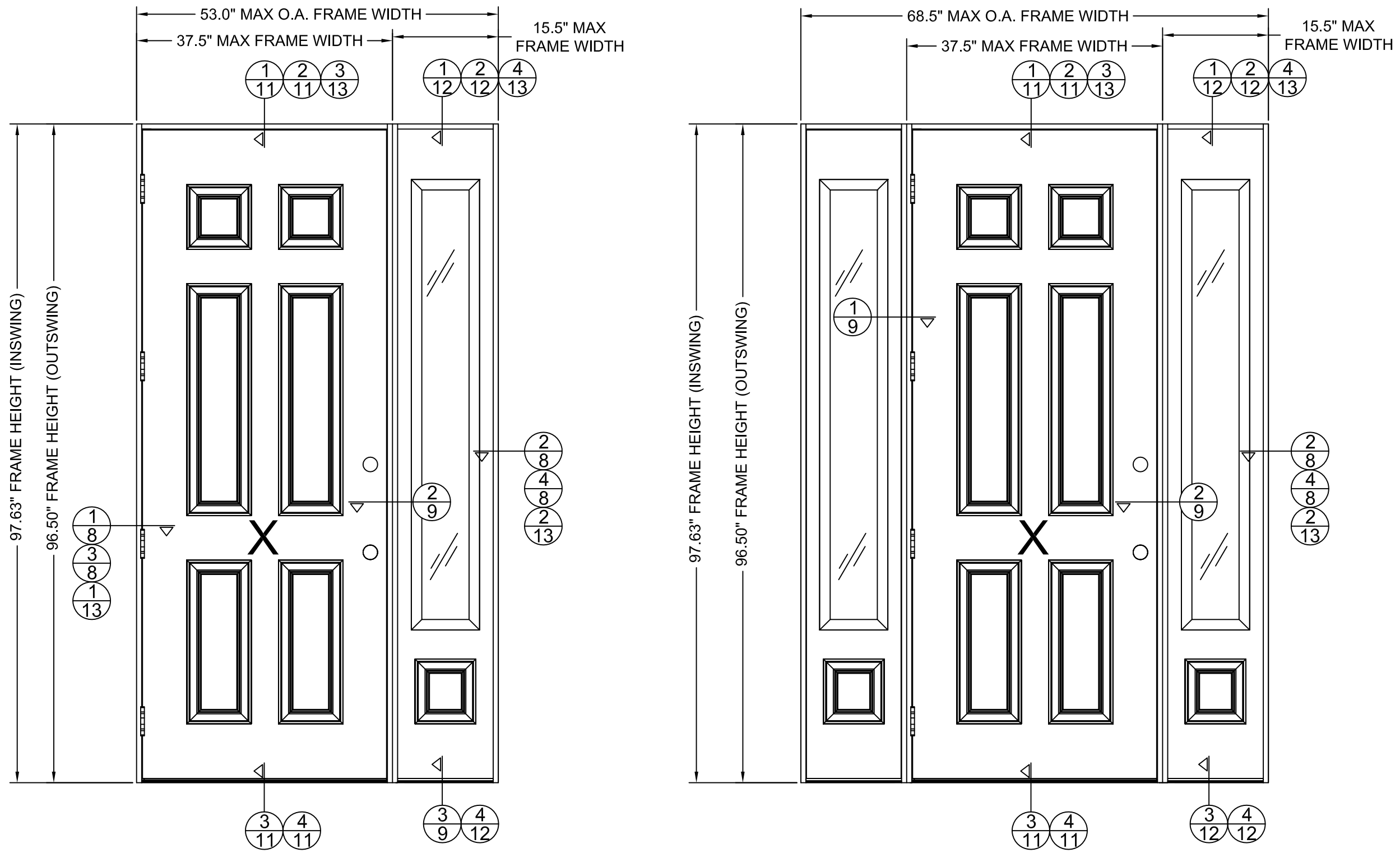
NO.	DESCRIPTION	BY	DATE



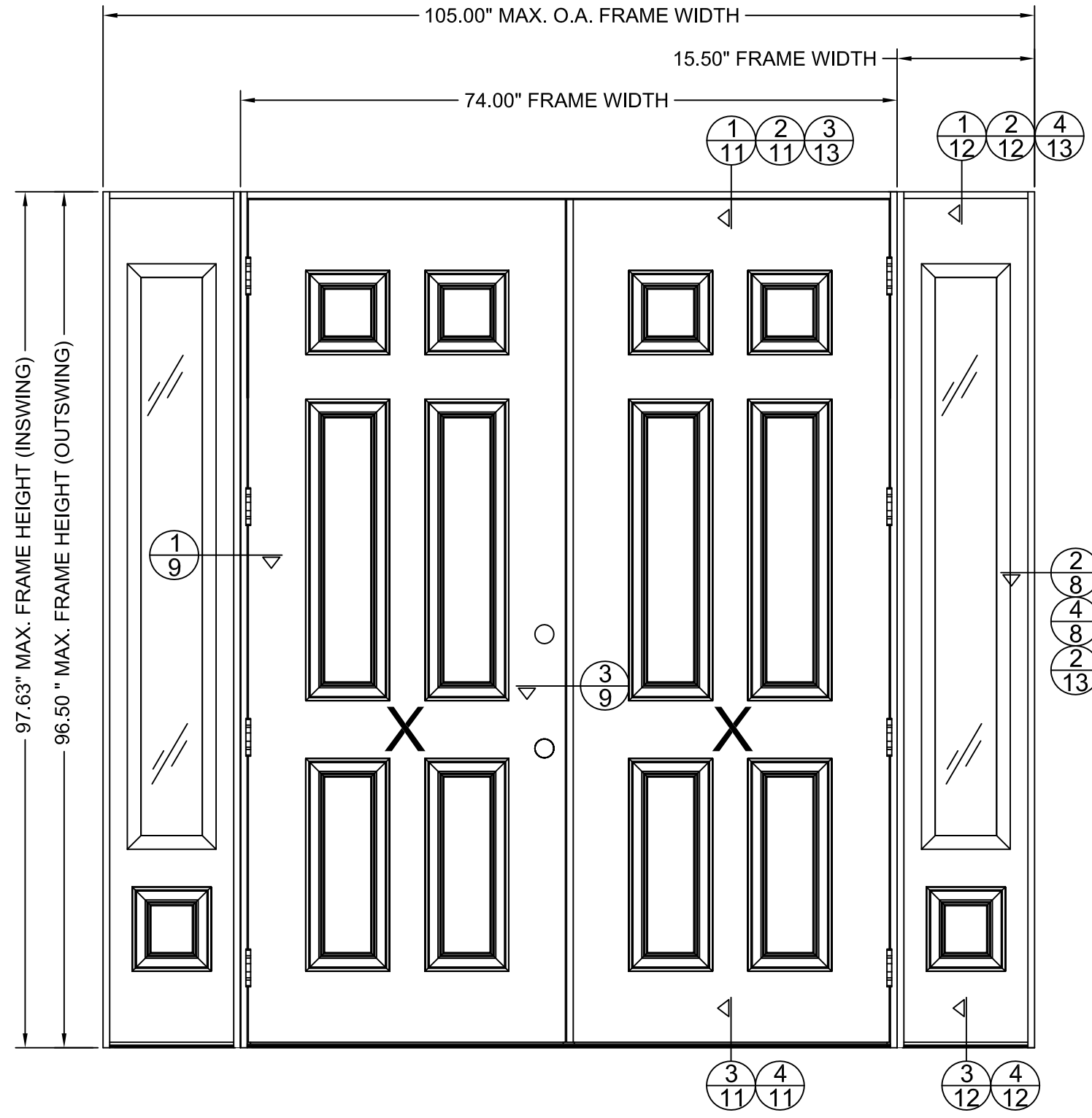
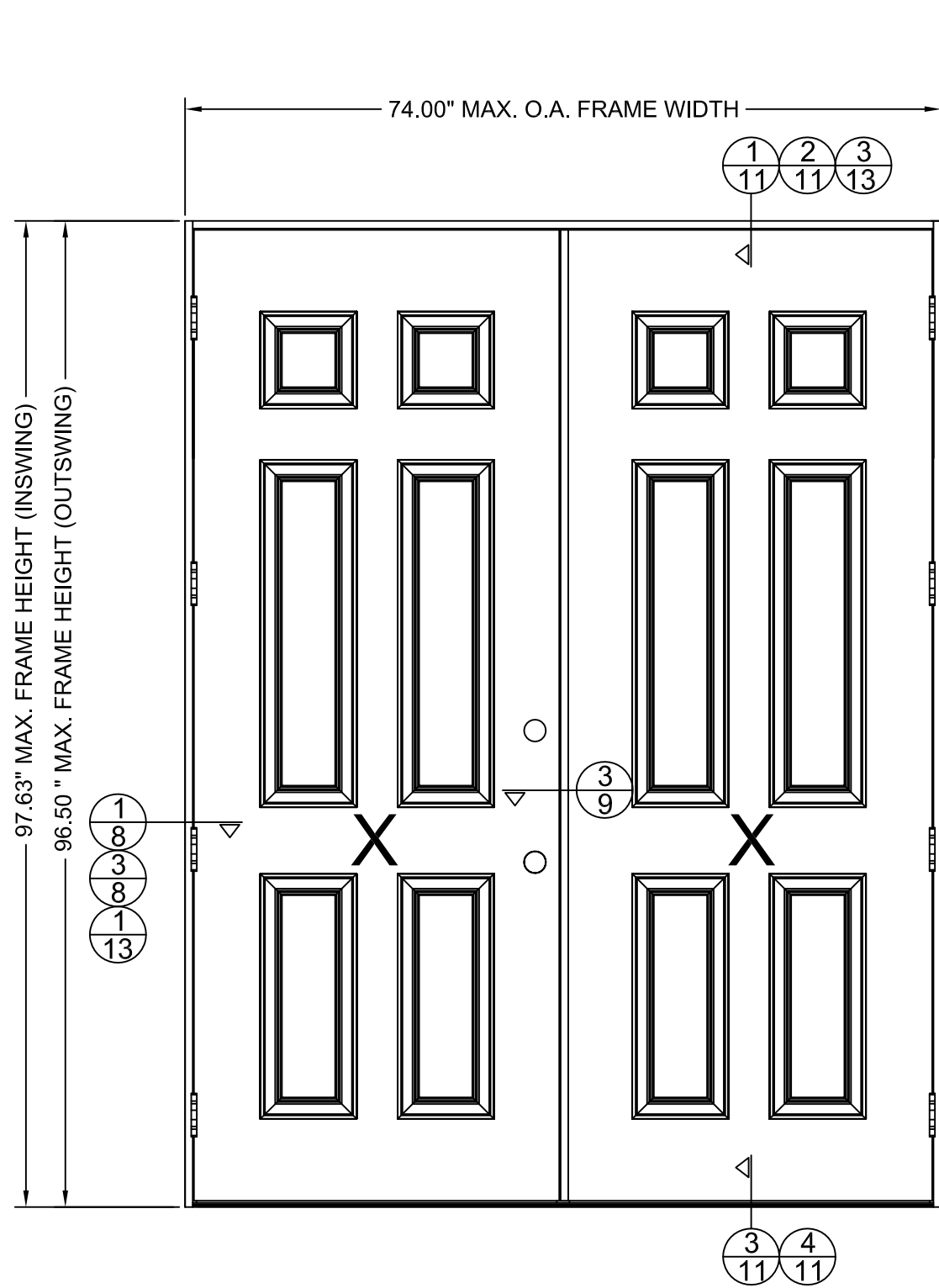
DATE: 07.14.16
DWN BY: LS
CHK BY: HFN
SCALE: NTS

DWG #: **FL-20867.6**

SHEET: **4 OF 28**



CONFIGURATION	MAX. FRAME DIMENSION	DESIGN PRESSURE (PSF)	
		POSITIVE	NEGATIVE
OX/XO	53.00" X 97.63"	+47.0	-47.0
OXO	68.50" X 97.63"	+47.0	-47.0



CONFIGURATION	MAX. FRAME DIMENSION	DESIGN PRESSURE (PSF)	
		POSITIVE	NEGATIVE
XX	74.00" X 97.63"	+47.0	-47.0
OXXO	105.00" X 97.63"	+47.0	-47.0

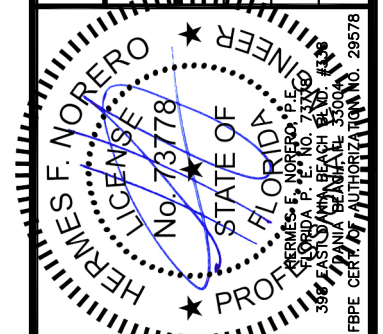
TITLE: OPAQUE FIBERGLASS DOOR
NON-IMP. INSWING/OUTSWING

TYPICAL ELEVATION AND
DESIGN PRESSURE

PREPARED BY:
BUILDING DROPS, INC.
398 E. DANIA BEACH BLVD. #338
DANIA BEACH, FL 33004
PH: (954) 399-8478 FX: (954) 744-4738

REVISIONS

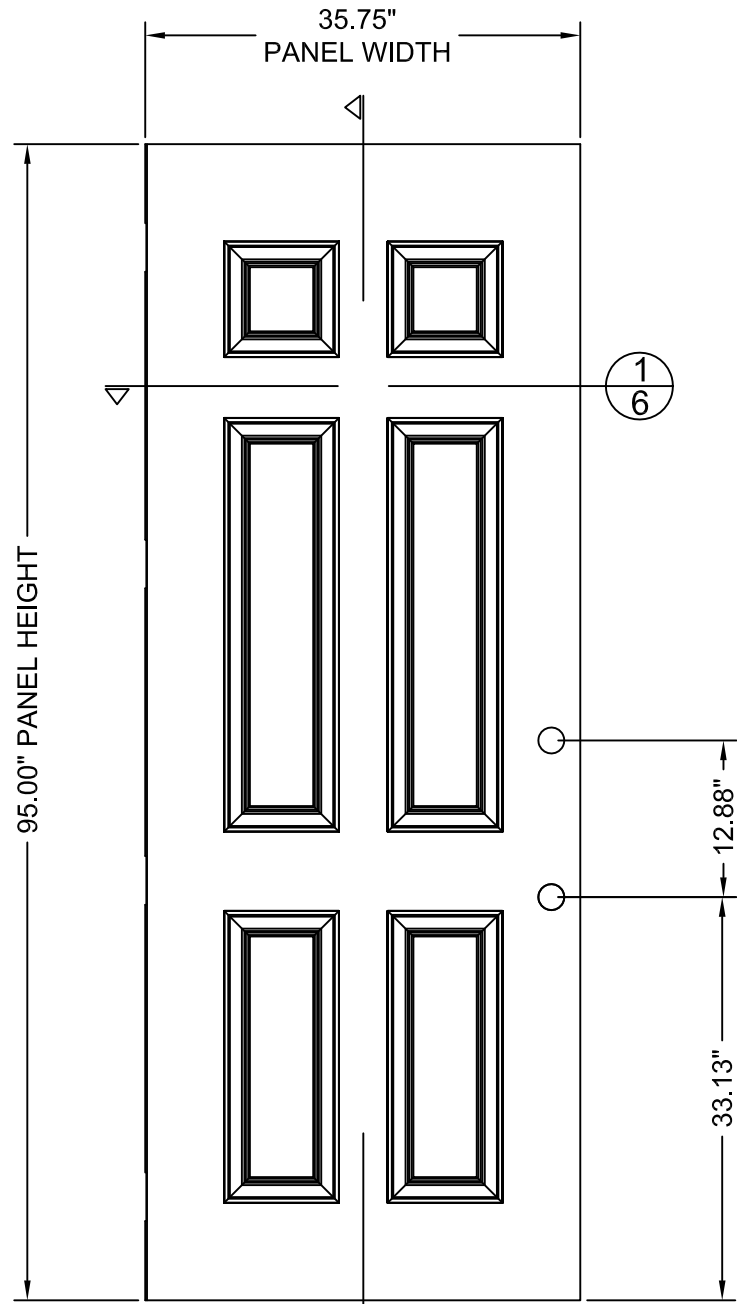
NO.	DESCRIPTION	BY	DATE



DATE: 07.14.16
DWN BY: LS
CHK BY: HFN
SCALE: NTS

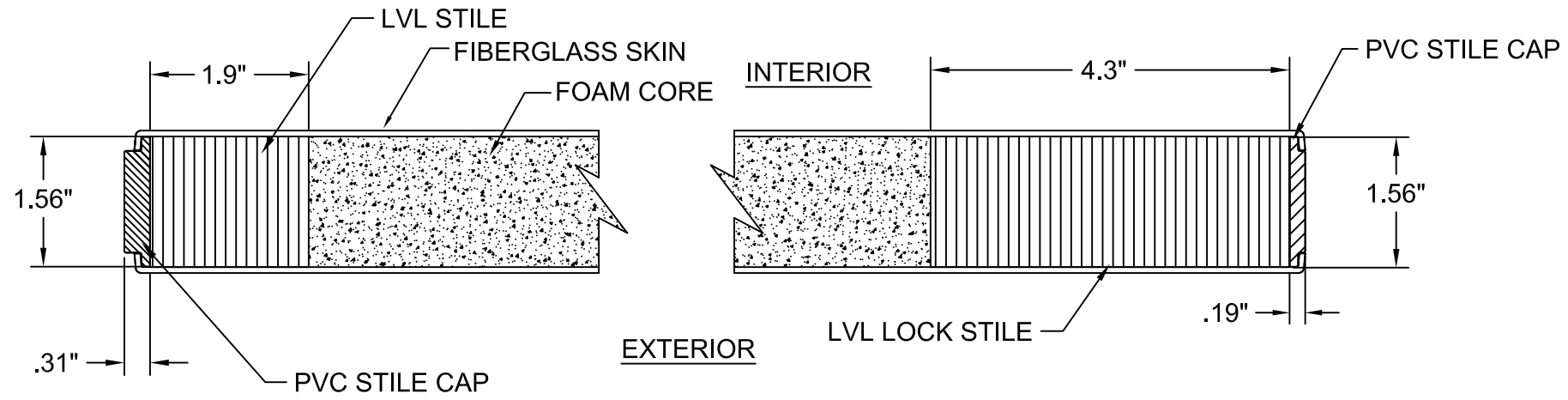
DWG #: FL-20867.6

SHEET: 5 OF 28

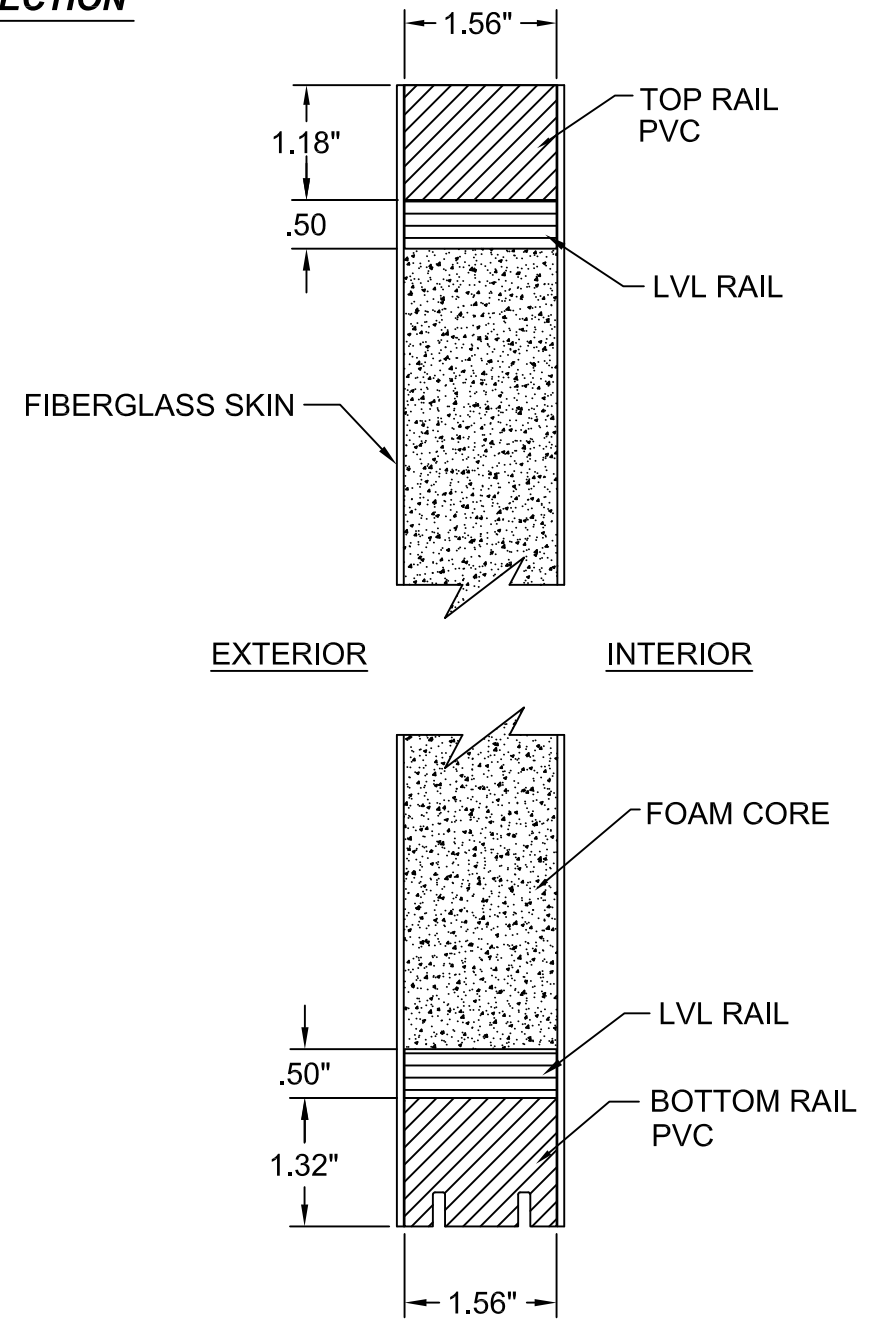


11 OPAQUE DOOR

FIBERGLASS SKIN: 0.079" THICK MIN.
FOAM CORE: POLYURETHANE



1/6 HORIZONTAL CROSS SECTION



2/6 VERTICAL CROSS SECTION

LOCKSET HARDWARE	
MANUFACTURER	MODEL
KWIKSET	LOCK & DEADBOLT COMBO SIGNATURE SERIES 980

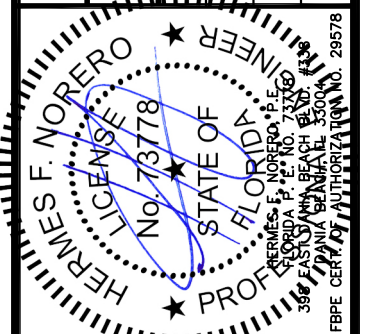
TITLE: OPAQUE FIBERGLASS DOOR
NON-IMP. INSWING/OUTSWING

DOOR PANEL CONSTRUCTION DETAILS

PREPARED BY:
BUILDING DROPS, INC.
398 E. DANIA BEACH BLVD. #338
DANIA BEACH, FL 33004
PH: (954) 399-8478 FX: (954) 744-4738

REVISIONS

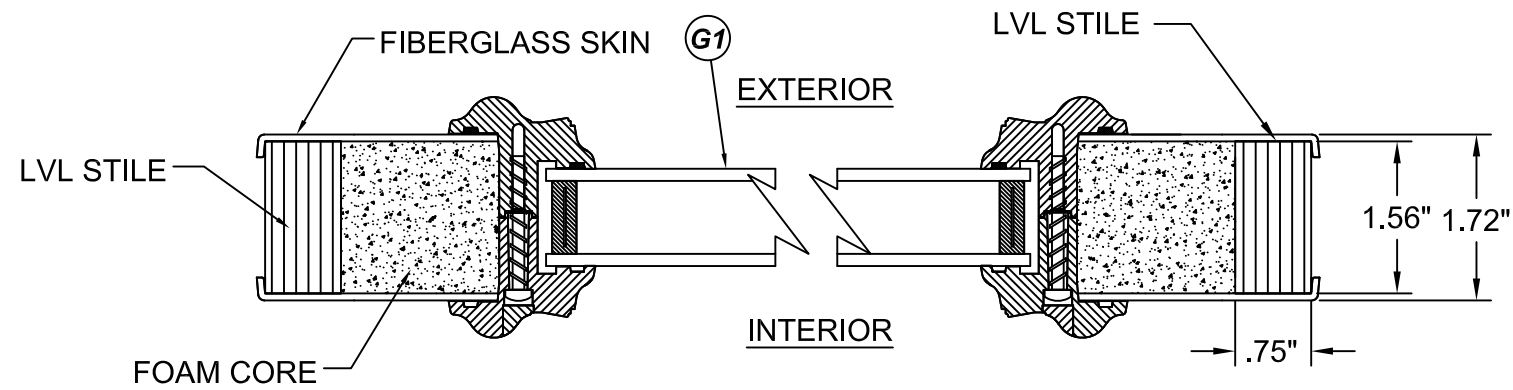
NO.	DESCRIPTION	BY	DATE



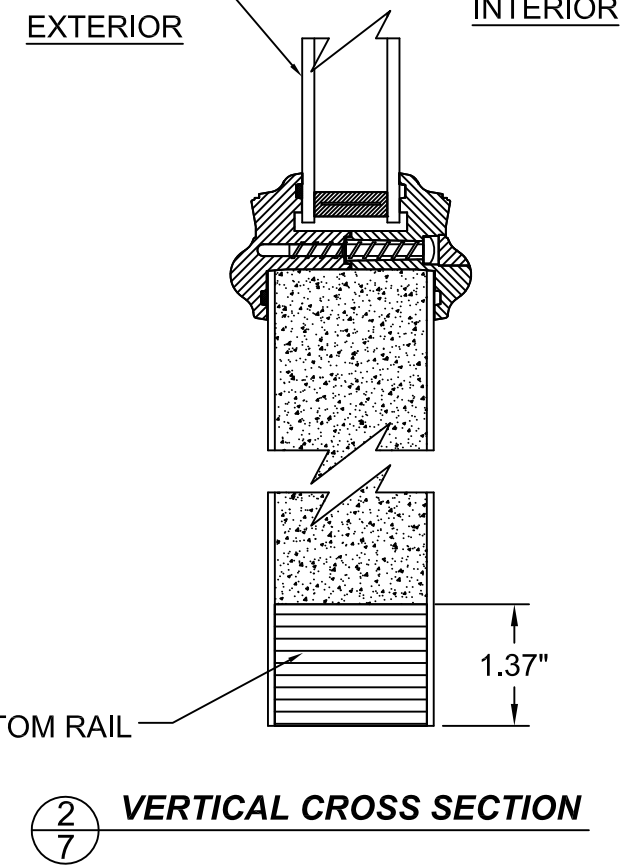
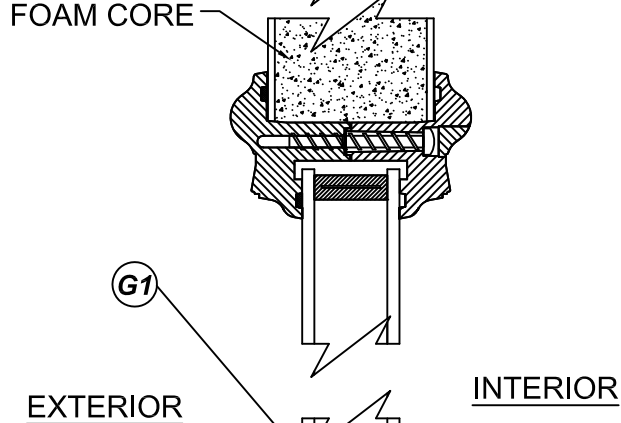
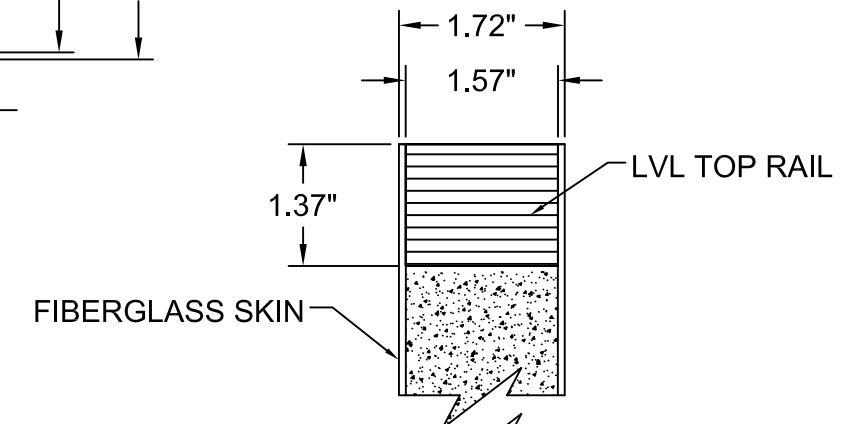
DATE: 07.14.16	DWN BY: LS	CHK BY: HFN	SCALE: NTS
-------------------	---------------	----------------	---------------

DWG #:
FL-20867.6

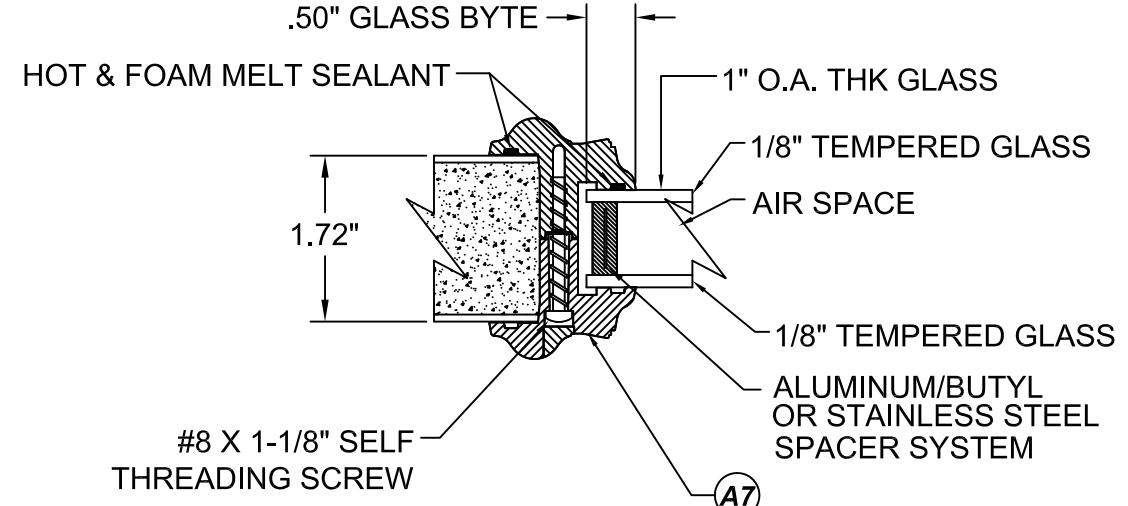
SHEET: **6 OF 28**



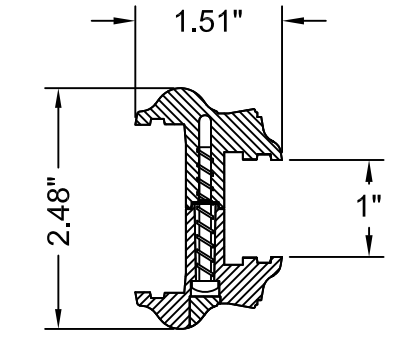
1
7 **HORIZONTAL CROSS SECTION**



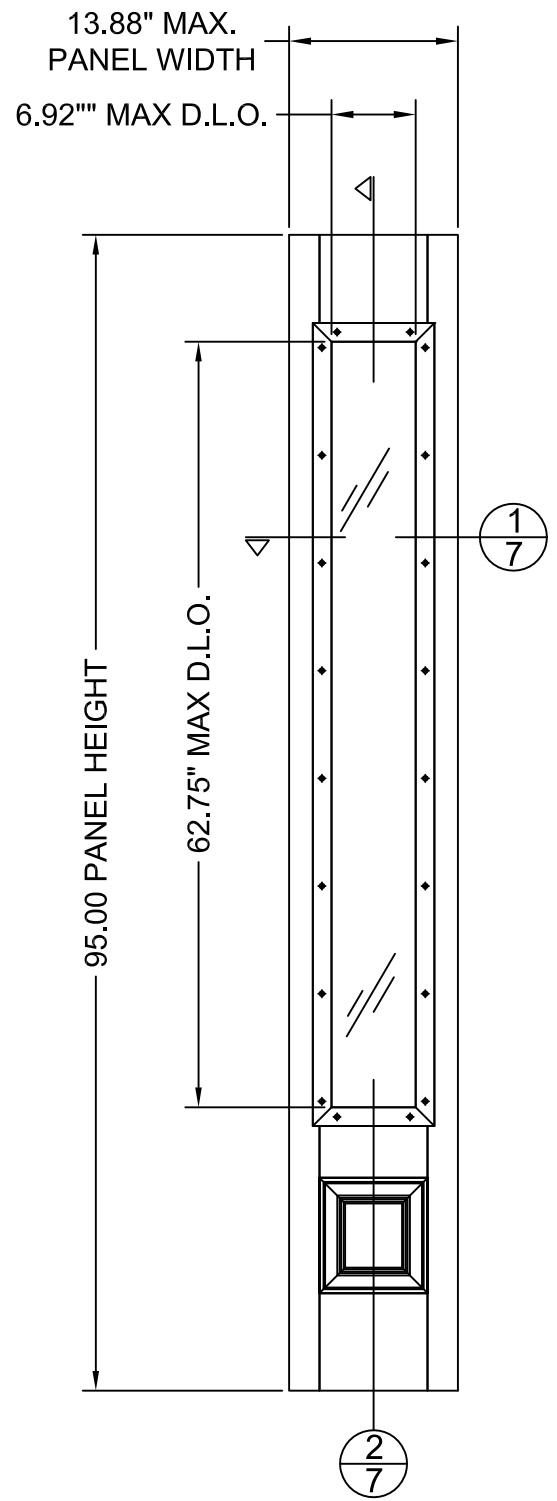
2
7 **VERTICAL CROSS SECTION**



G1 **GLAZING DETAIL**
LIPLITE FRAME



A7 **LIPLITE FRAME**
ABS or PC/ASA

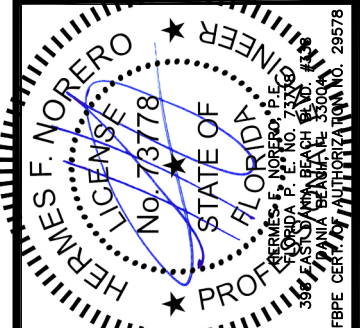


12 **SIDELITE PANEL**
LIPLITE FRAME

FIBERGLASS SKIN: 0.079" THICK MIN.
FOAM CORE: POLYURETHANE

TITLE: OPAQUE FIBERGLASS DOOR
NON-IMP. INSWING/OUTSWING
SIDELITE PANEL
CONSTRUCTION DETAILS
PREPARED BY:
BUILDING DROPS, INC.
398 E. DANIA BEACH BLVD. #338
DANIA BEACH, FL 33004
PH: (954) 399-8478 FX: (954) 744-4738

NO.	DESCRIPTION	BY	DATE



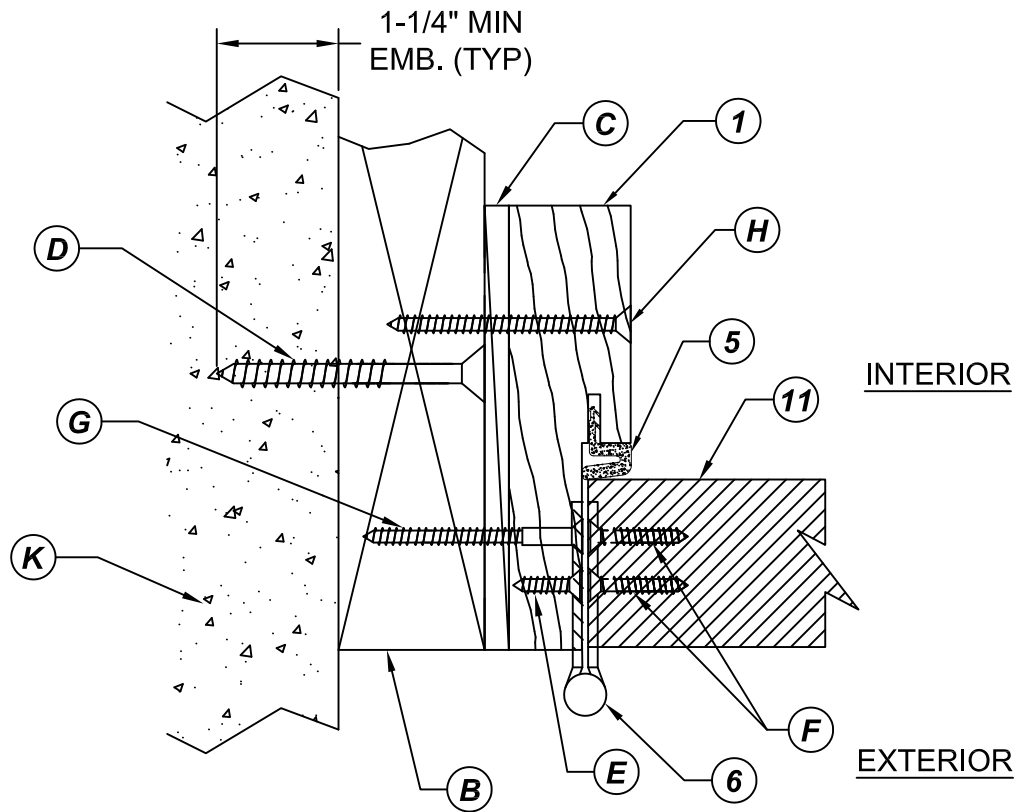
DATE:	07.14.16
DWN BY:	LS
CHK BY:	LFN
SCALE:	NTS

DWG #:
FL-20867.6
SHEET: **7 OF 28**

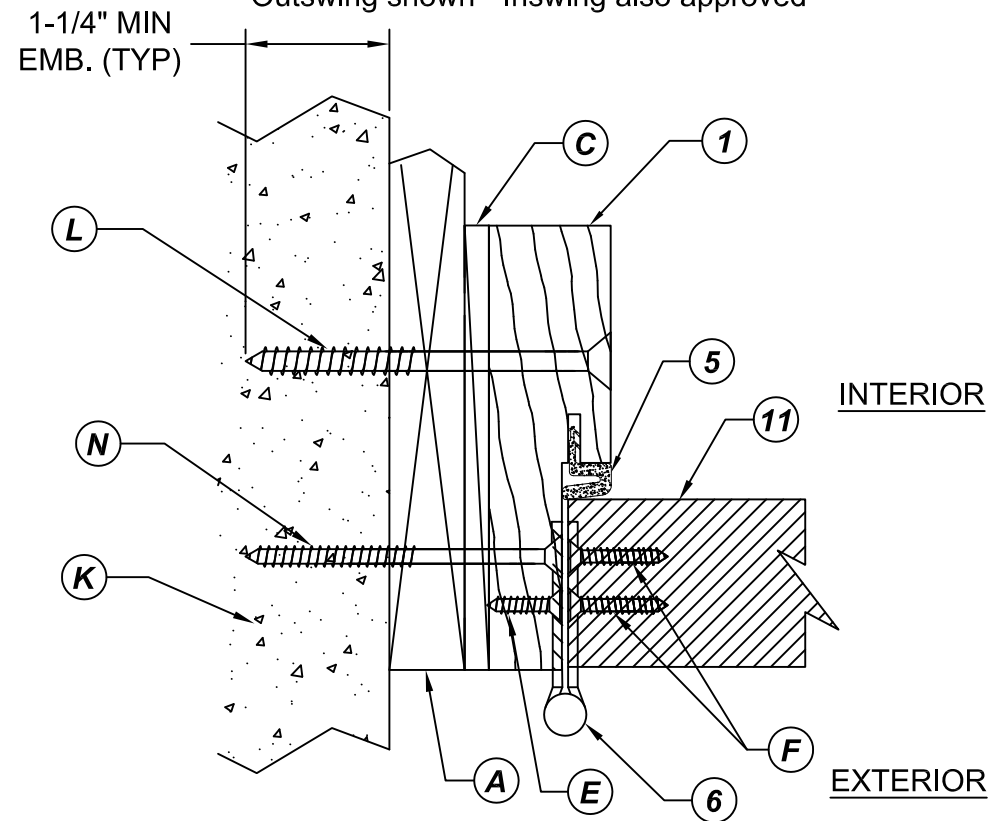
TITLE: OPAQUE FIBERGLASS DOOR
NON-IMP. INSWING/OUTSWING

HORIZONTAL
CROSS SECTIONS

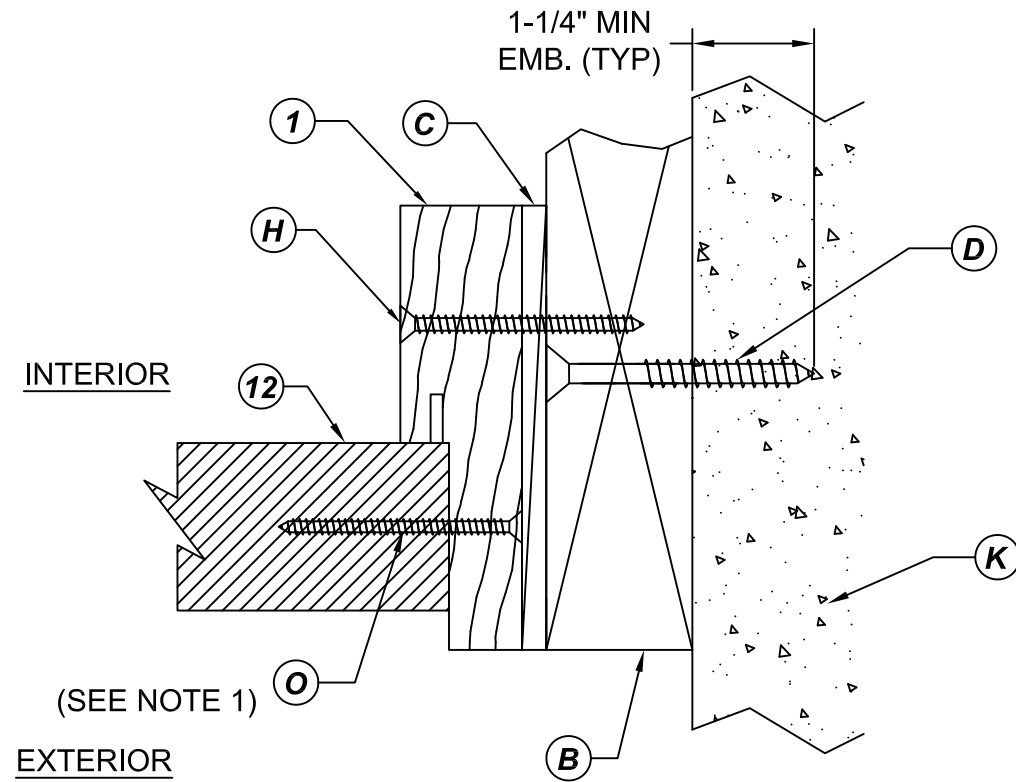
PREPARED BY:
BUILDING DROPS, INC.
398 E. DANIA BEACH BLVD. #338
DANIA BEACH, FL 33004
PH: (954) 399-8478 FX: (954) 744-4738



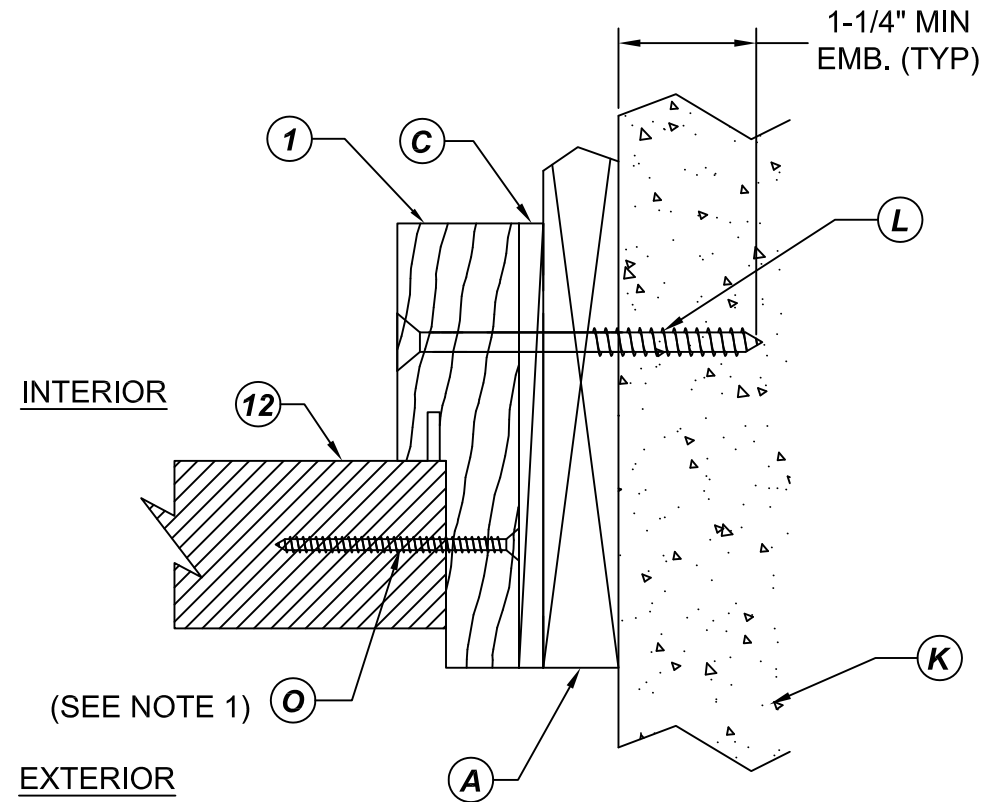
1
8 **HORIZONTAL CROSS SECTION**
SHOWN W/ 2X WOOD BUCK
Outswing shown - Inswing also approved



3
8 **HORIZONTAL CROSS SECTION**
SHOWN W/ 1X WOOD BUCK
Outswing shown - Inswing also approved



2
8 **HORIZONTAL CROSS SECTION**
SHOWN W/ 2X WOOD BUCK
Outswing shown - Inswing also approved

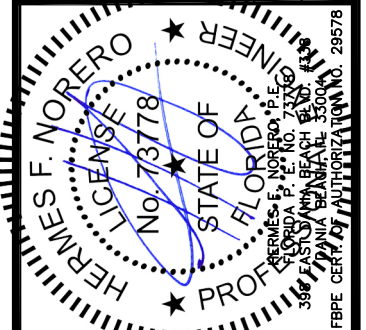


4
8 **HORIZONTAL CROSS SECTION**
SHOWN W/ 1X WOOD BUCK
Outswing shown - Inswing also approved

NOTE:
1. SIDELITE SCREWS LOCATED 6" FROM EACH END OF SIDE JAMB AND 6 EQUALLY SPACED SCREWS FROM THE END SCREWS (TOTAL 8 SCREWS).

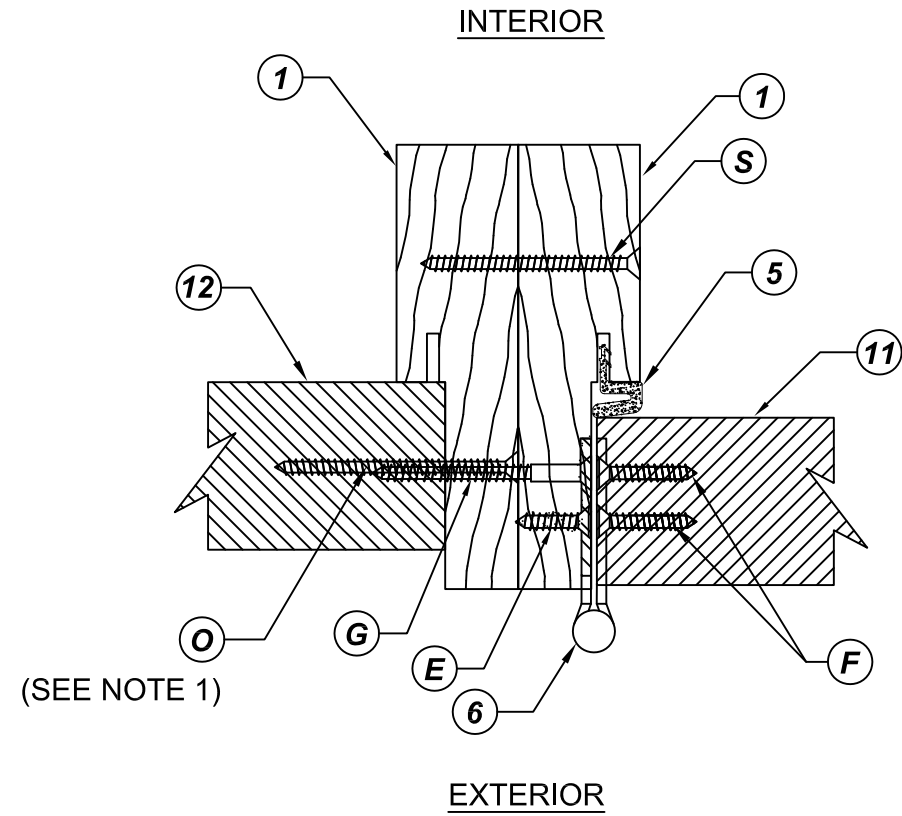
REVISIONS

NO.	DESCRIPTION	DATE	
		BY	DATE



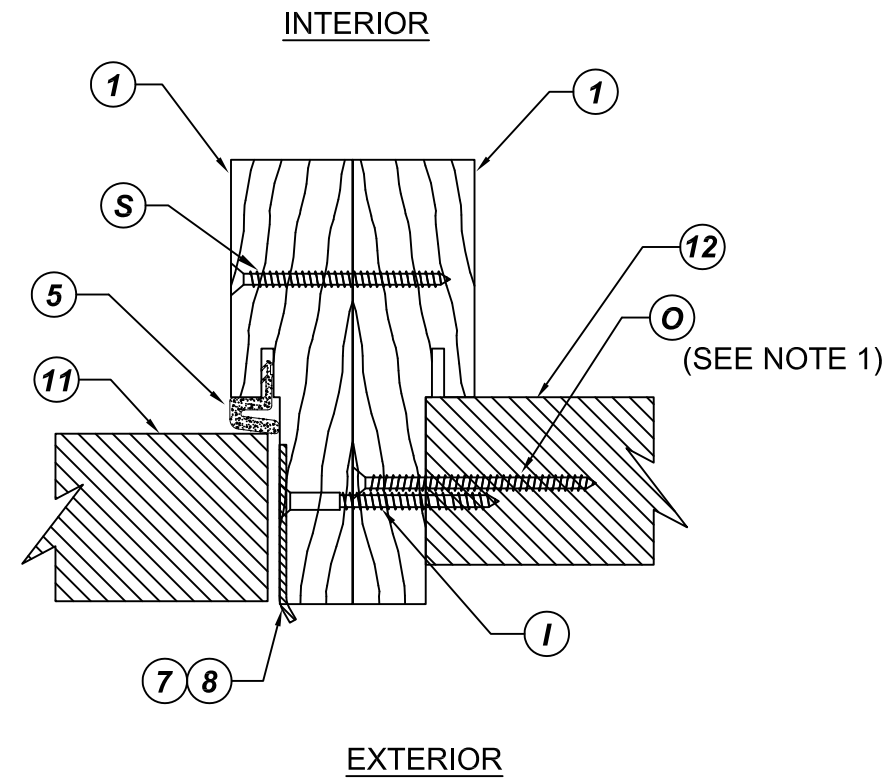
DATE: 07.14.16	DWN BY: LS	CHK BY: HFN	SCALE: NTS
-------------------	---------------	----------------	---------------

DWG #:
FL-20867.6
SHEET: **8 OF 28**



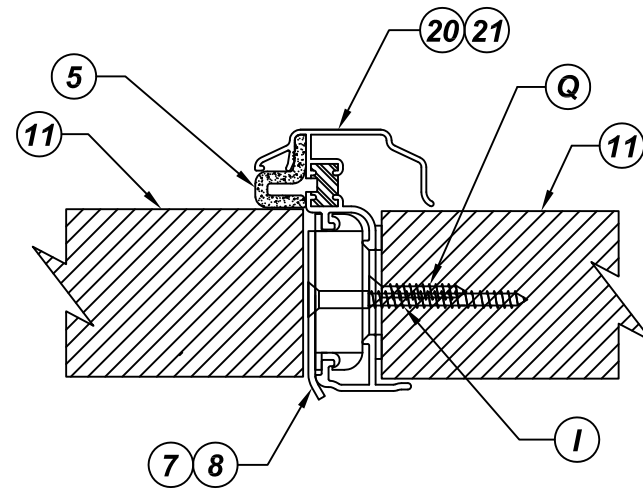
(SEE NOTE 1)

1
9 **HORIZONTAL CROSS SECTION**
Outswing shown - Inswing also approved



(SEE NOTE 1)

2
9 **HORIZONTAL CROSS SECTION**
Outswing shown - Inswing also approved



3
9 **HORIZONTAL CROSS SECTION**
Outswing shown - Inswing also approved

NOTE:

1. SIDELITE SCREWS LOCATED 6" FROM EACH END OF SIDE JAMB AND 6 EQUALLY SPACED SCREWS FROM THE END SCREWS (TOTAL 8 SCREWS).

TITLE: OPAQUE FIBERGLASS DOOR
NON-IMP. INSWING/OUTSWING

HORIZONTAL
CROSS SECTIONS

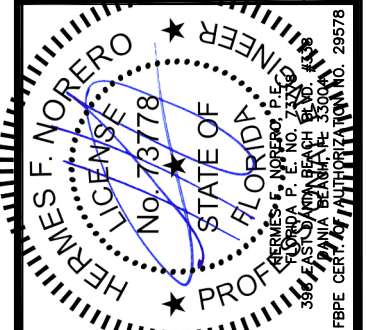
PREPARED BY:

BUILDING DROPS, INC.
398 E. DANIA BEACH BLVD. #3338
DANIA BEACH, FL 33004

PH: (954) 399-8478 FX: (954) 744-4738

REVISIONS

NO.	DESCRIPTION	BY	DATE



DATE:	DWN BY:	CHK BY:	SCALE:
07.14.16	LS	HFN	NTS

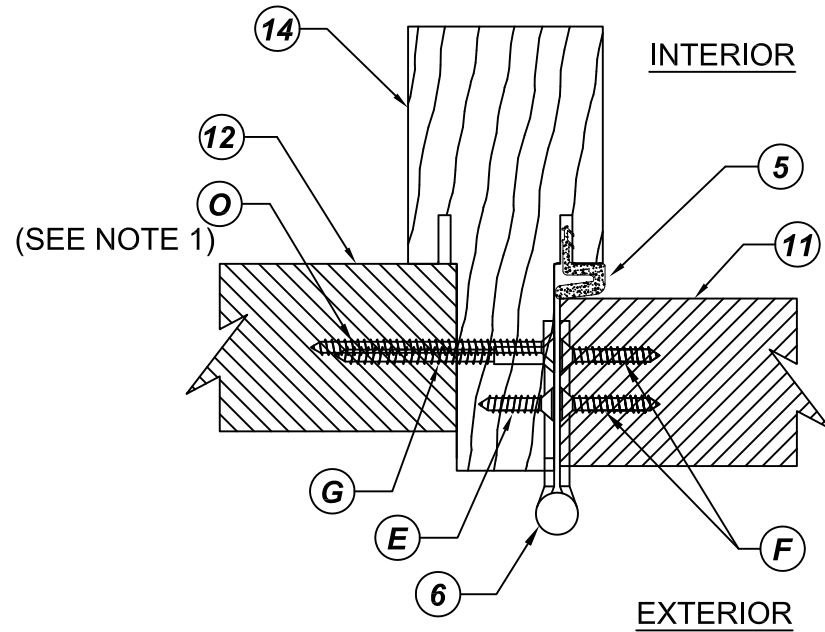
DWG #:
FL-20867.6

SHEET: **9 OF 28**

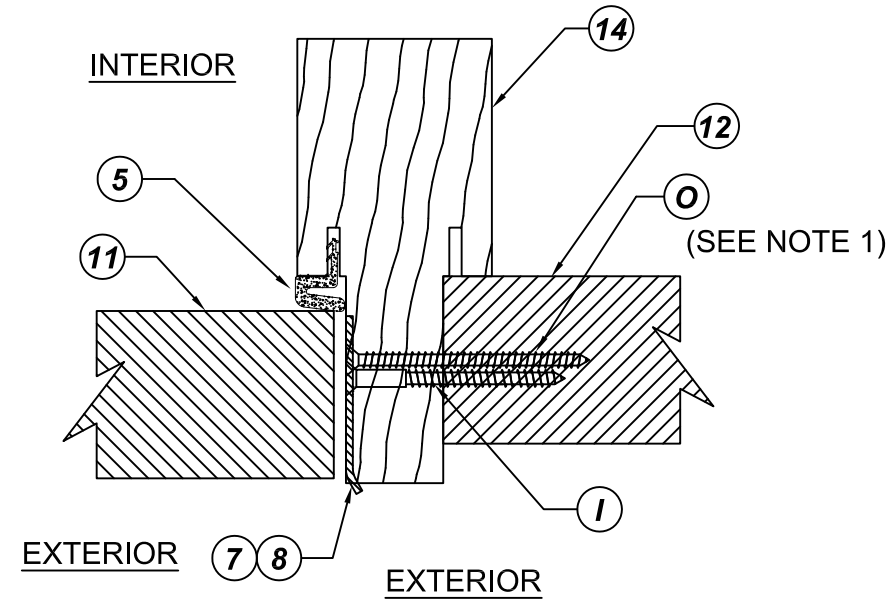
TITLE: OPAQUE FIBERGLASS DOOR
NON-IMP. INSWING/OUTSWING

HORIZONTAL
CROSS SECTIONS

PREPARED BY:
BUILDING DROPS, INC.
398 E. DANIA BEACH BLVD. #338
DANIA BEACH, FL 33004
PH: (954) 399-8478 FX: (954) 744-4738



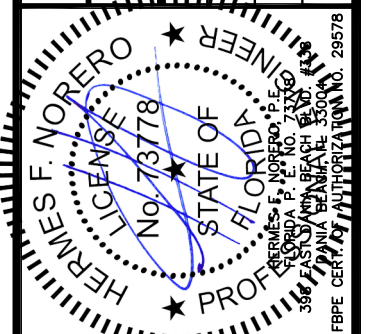
1 HORIZONTAL CROSS SECTION
10 Outswing shown - Inswing also approved



2 HORIZONTAL CROSS SECTION
10 Outswing shown - Inswing also approved

REVISIONS

NO.	DESCRIPTION	BY	DATE



DATE: 07.14.16
DWN BY: LS
CHK BY: HFN
SCALE: NTS

DWG #: **FL-20867.6**

SHEET: **10 OF 28**

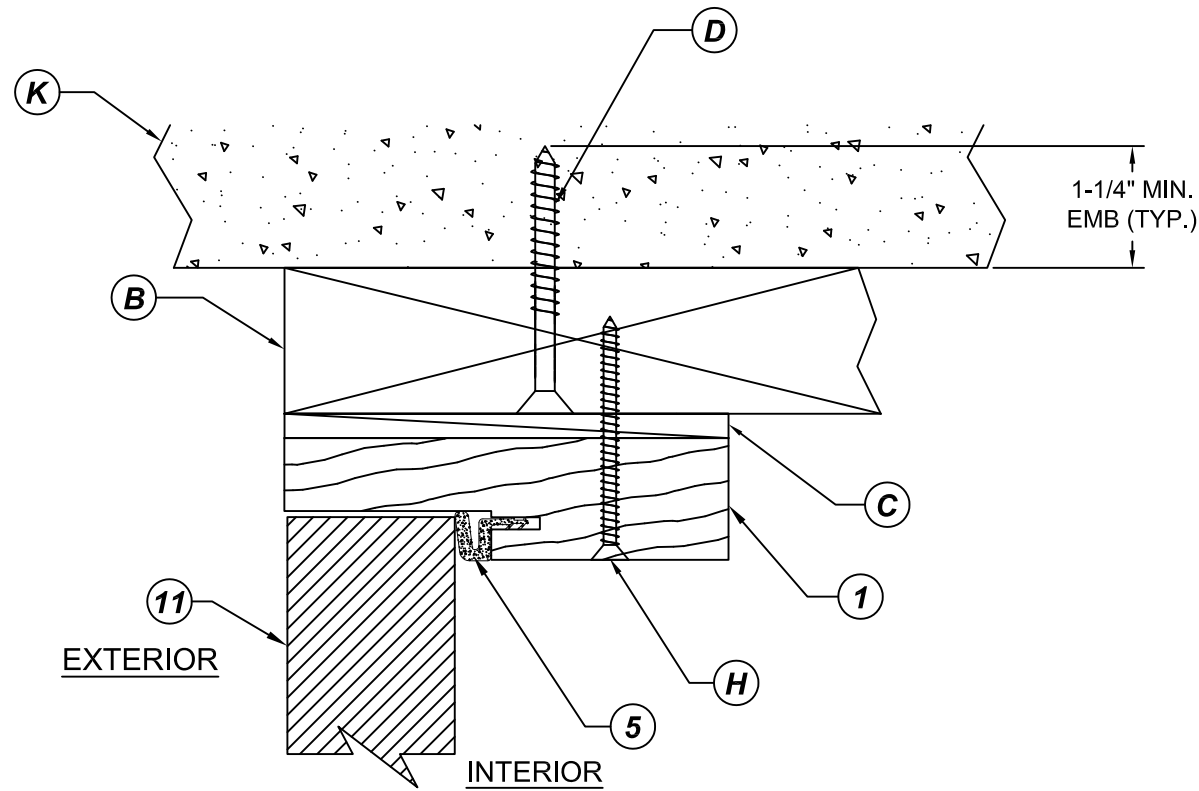
NOTE:

1. SIDELITE SCREWS LOCATED 6" FROM EACH END OF SIDE JAMB AND 6 EQUALLY SPACED SCREWS FROM THE END SCREWS (TOTAL 8 SCREWS).

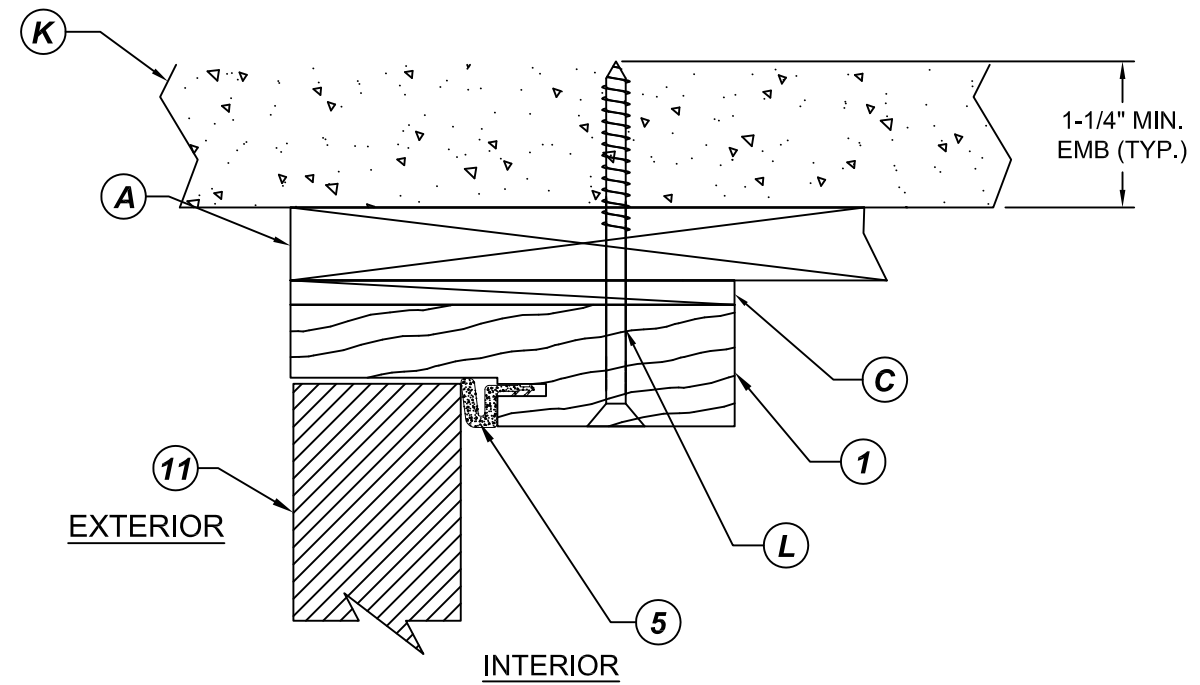
TITLE: OPAQUE FIBERGLASS DOOR
NON-IMP. INSWING/OUTSWING

VERTICAL
CROSS SECTIONS

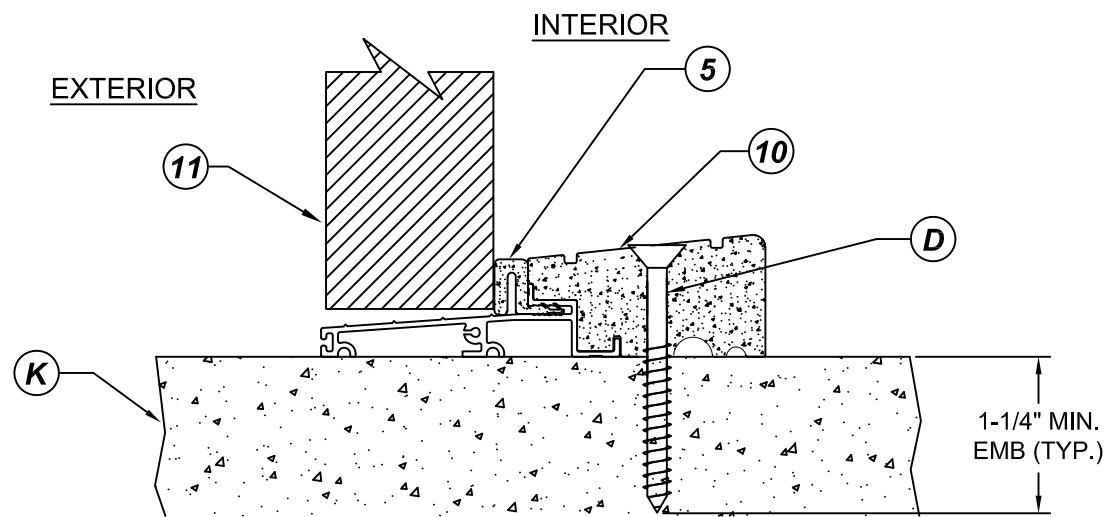
PREPARED BY:
BUILDING DROPS, INC.
398 E. DANIA BEACH BLVD. #3338
DANIA BEACH, FL 33004
PH: (954) 399-8478 FX: (954) 744-4738



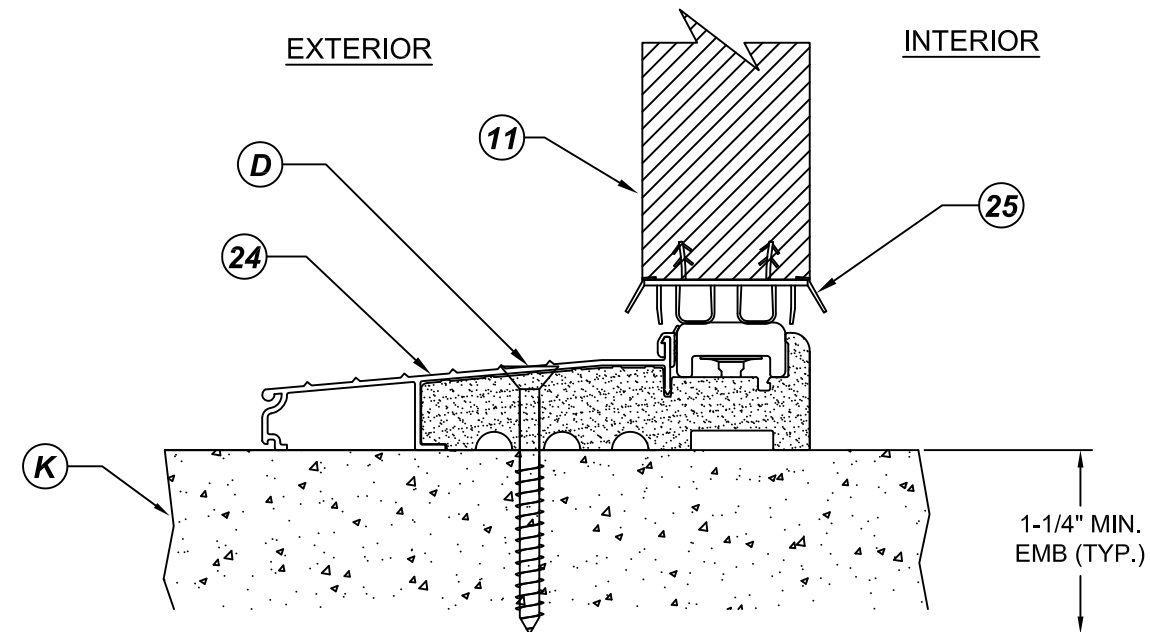
1
11 VERTICAL CROSS SECTION
SHOWN W/ 2X WOOD BUCK
Outswing shown - Inswing also approved



2
11 VERTICAL CROSS SECTION
SHOWN W/ 1X WOOD BUCK
Outswing shown - Inswing also approved



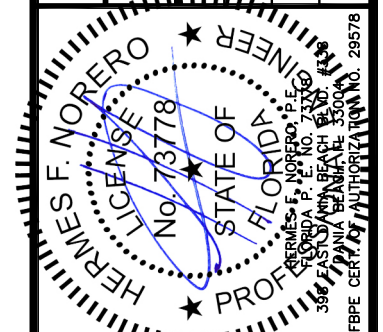
3
11 VERTICAL CROSS SECTION
OUTSWING SILL



4
11 VERTICAL CROSS SECTION
INSWING SILL

REVISIONS

NO.	DESCRIPTION	BY	DATE



DATE: 07.14.16
DWN BY: LS
CHK BY: HFN
SCALE: NTS

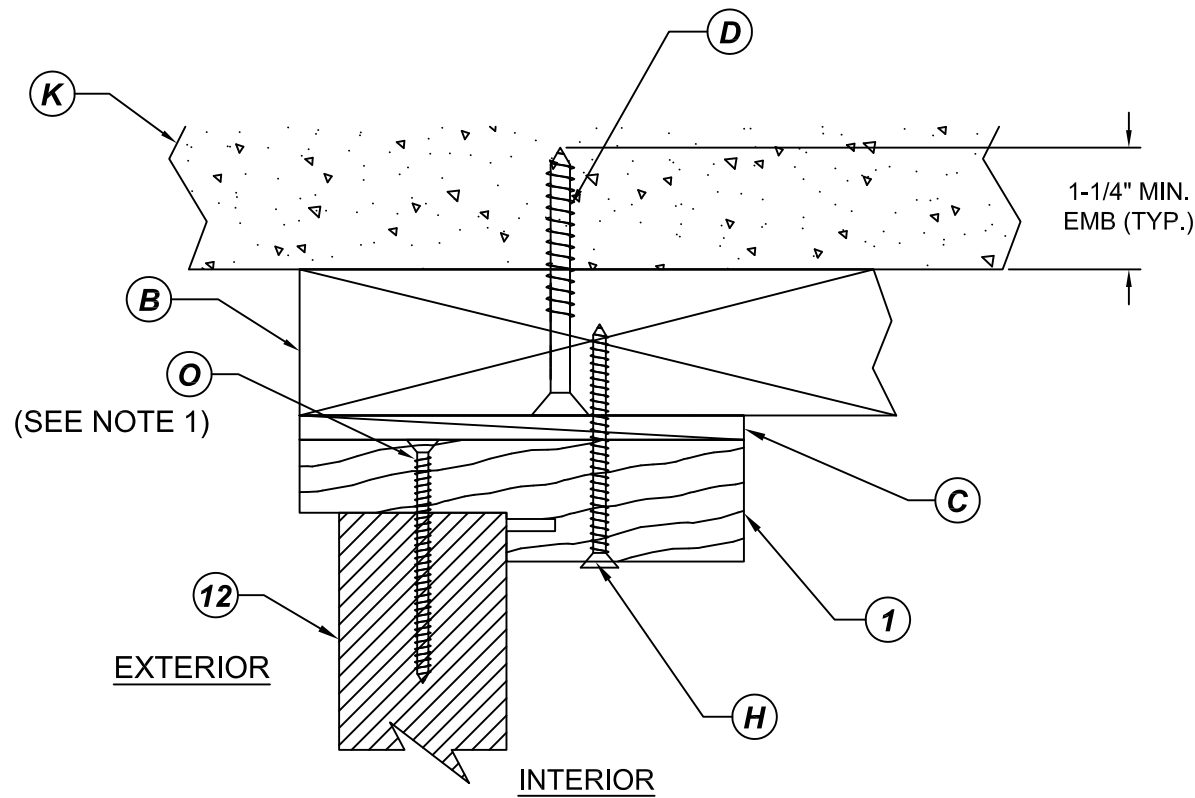
DWG #: **FL-20867.6**

SHEET: **11 OF 28**

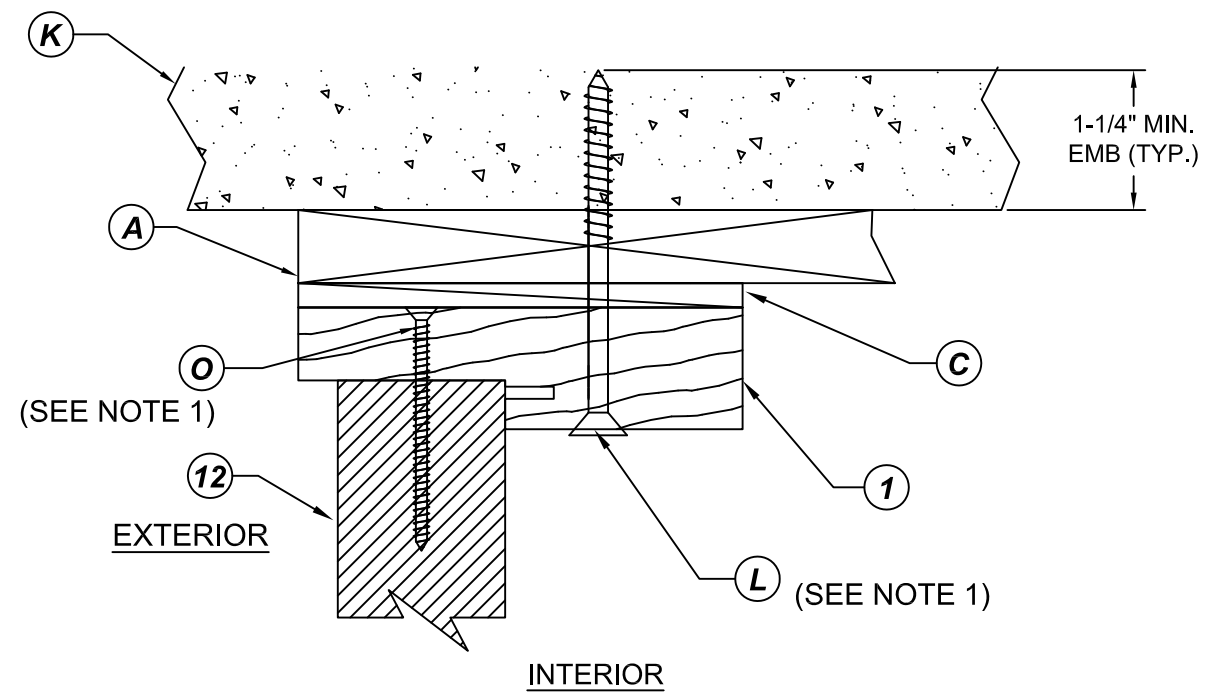
TITLE: OPAQUE FIBERGLASS DOOR
NON-IMP. INSWING/OUTSWING

VERTICAL CROSS SECTIONS

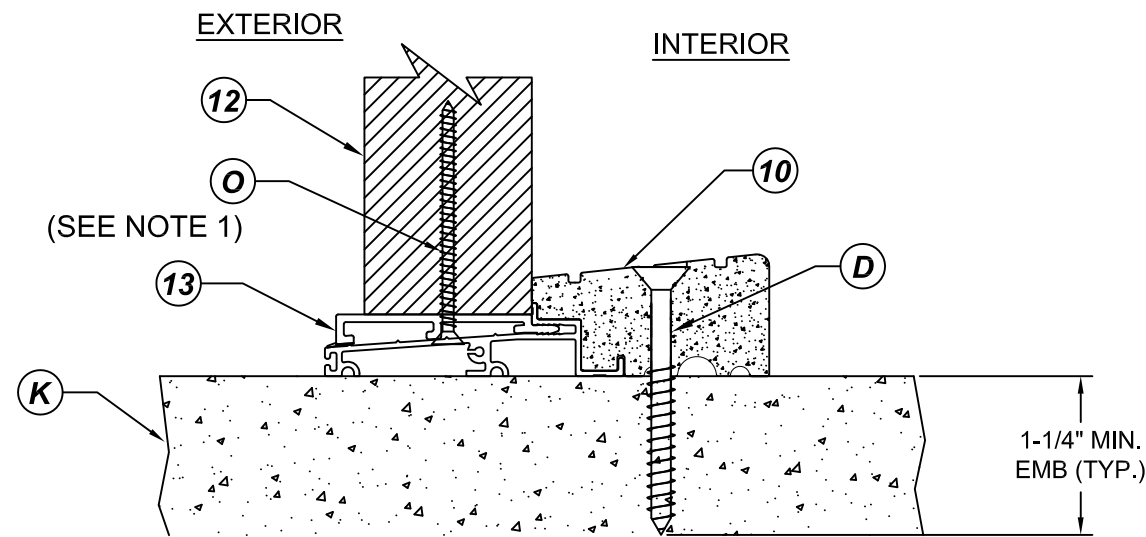
PREPARED BY:
BUILDING DROPS, INC.
398 E. DANIA BEACH BLVD. #338
DANIA BEACH, FL 33004
PH: (954) 399-8478 FX: (954) 744-4738



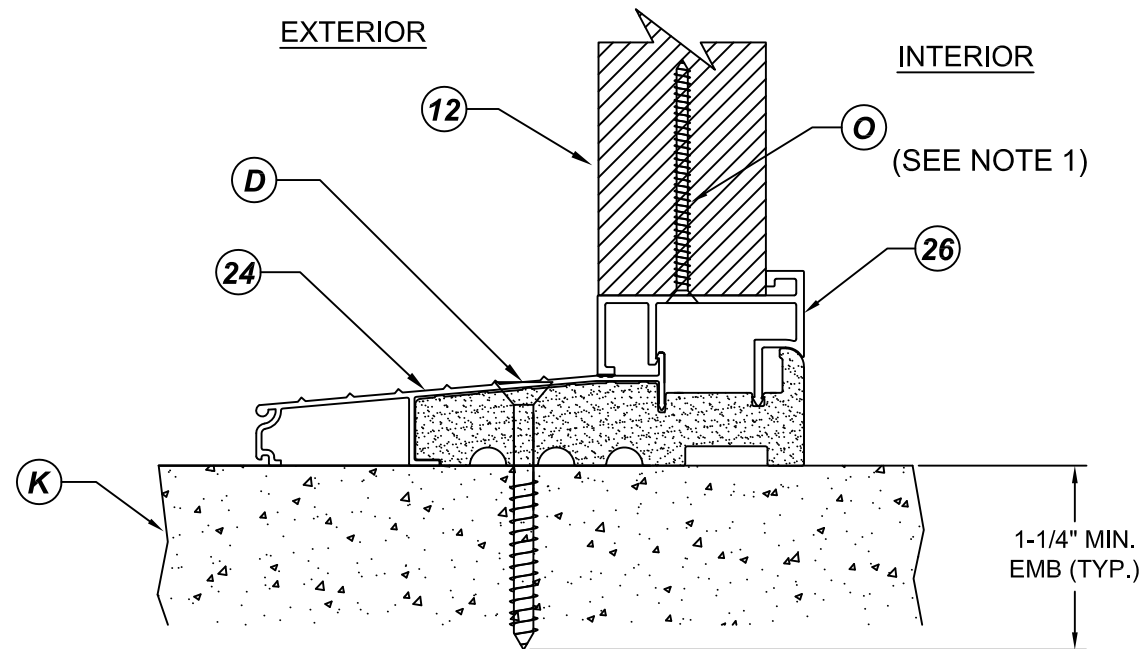
1 VERTICAL CROSS SECTION
12 SHOWN W/ 2X WOOD BUCK
Outswing shown - Inswing also approved



2 VERTICAL CROSS SECTION
12 SHOWN W/ 1X WOOD BUCK
Outswing shown - Inswing also approved



3 VERTICAL CROSS SECTION
12 OUTSWING SILL

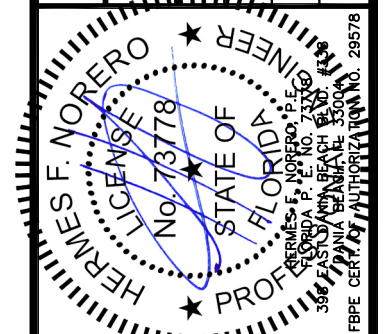


4 VERTICAL CROSS SECTION
12 INSWING SILL

NOTE:
1. SIDELITE SCREWS THRU HEADER AND SILL LOCATED AT 3" FROM EACH END AND ON CENTER LINE.

REVISIONS

NO.	DESCRIPTION	BY	DATE



DATE: 07.14.16
DWN BY: LS
CHK BY: HFN
SCALE: NTS

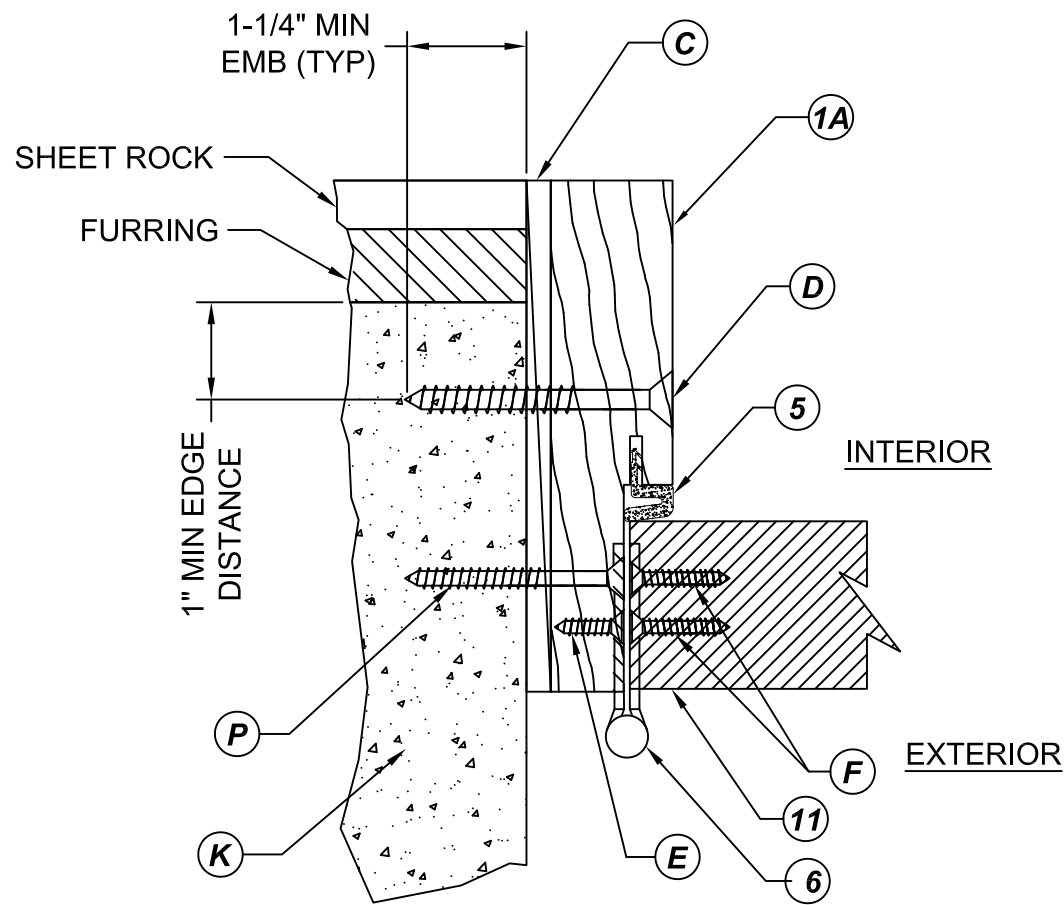
DWG #: **FL-20867.6**

SHEET: **12 OF 28**

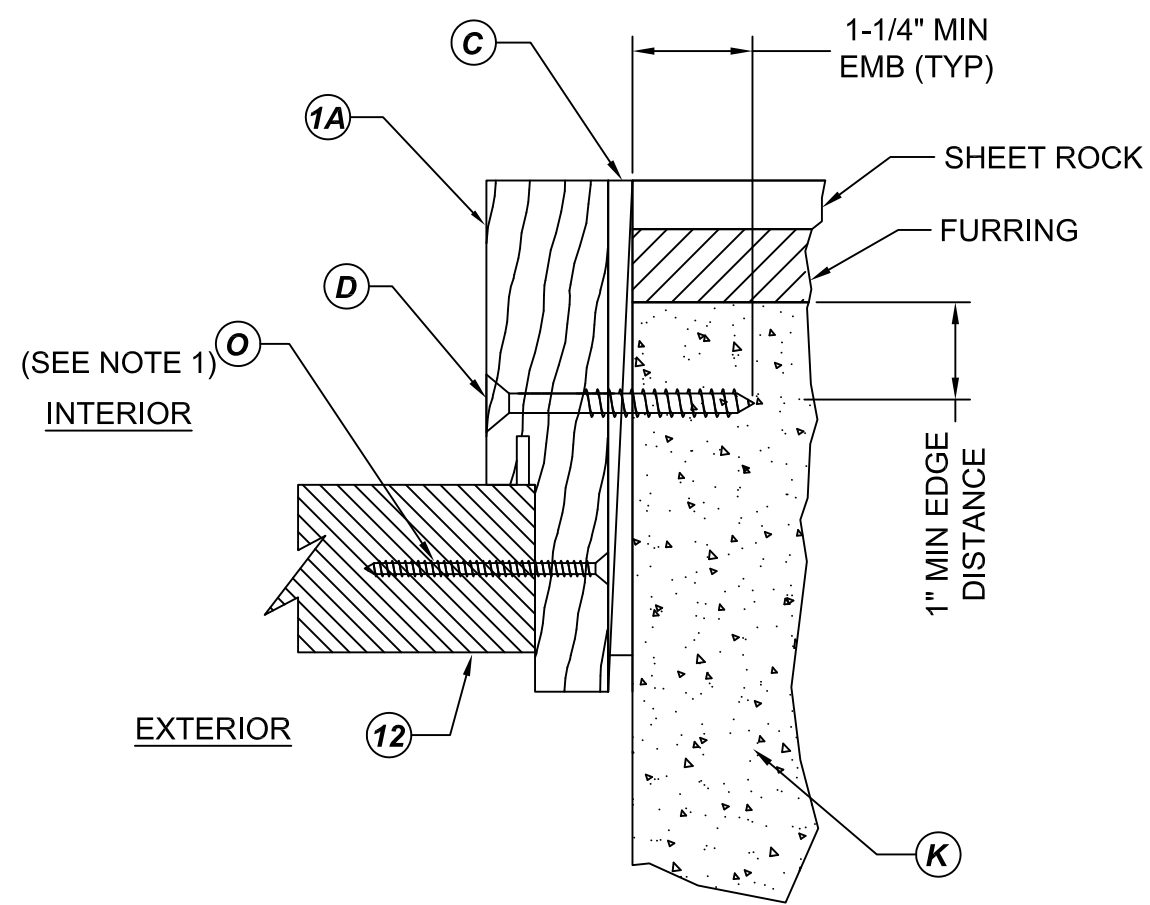
TITLE: OPAQUE FIBERGLASS DOOR
NON-IMP. INSWING/OUTSWING

HORIZONTAL & VERTICAL
CROSS SECTIONS

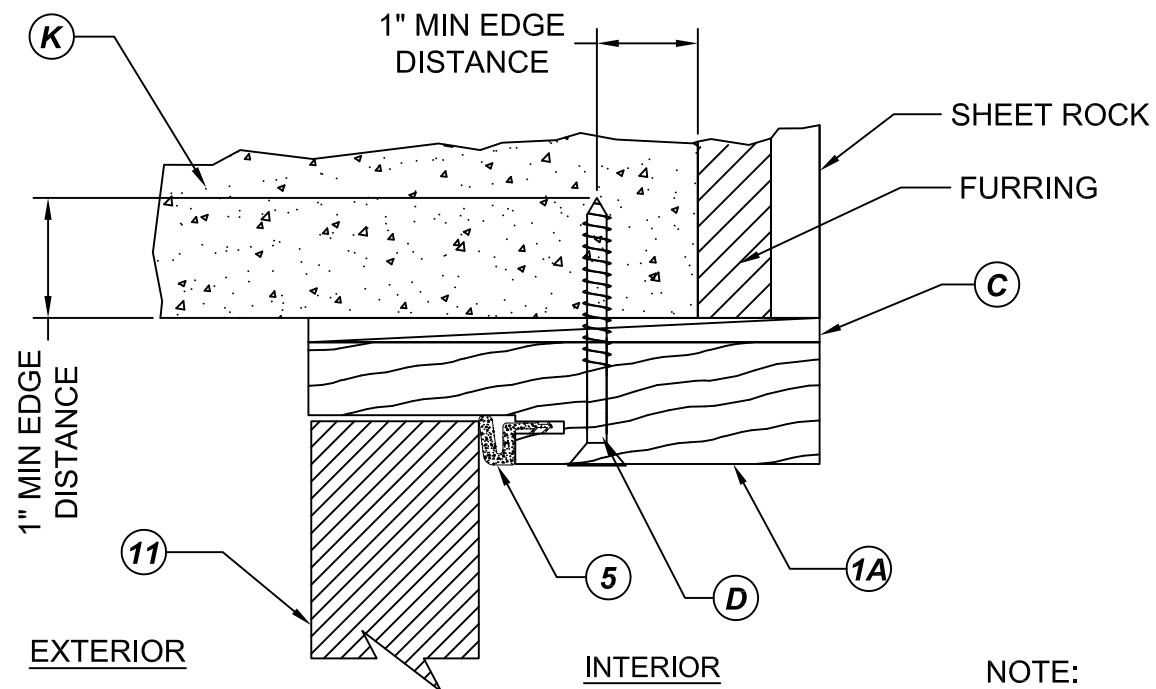
PREPARED BY:
BUILDING DROPS, INC.
398 E. DANIA BEACH BLVD. #338
DANIA BEACH, FL 33004
PH: (954) 399-8478 FX: (954) 744-4738



1
13 **HORIZONTAL CROSS SECTION**
Direct to masonry (5-1/4" min jamb)
Outswing shown - Inswing also approved



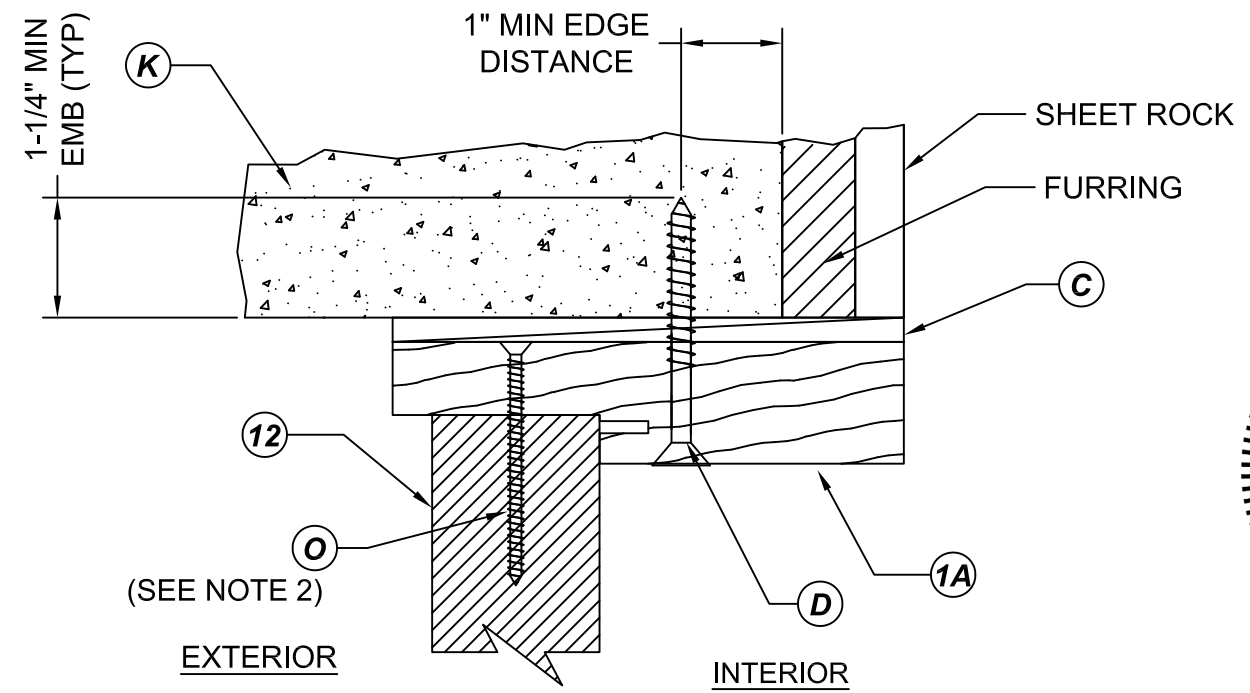
2
13 **HORIZONTAL CROSS SECTION**
Direct to masonry (5-1/4" min jamb)
Outswing shown - Inswing also approved



3
13 **VERTICAL CROSS SECTION**
Direct to masonry (5-1/4" min jamb)
Outswing shown - Inswing also approved

NOTE:

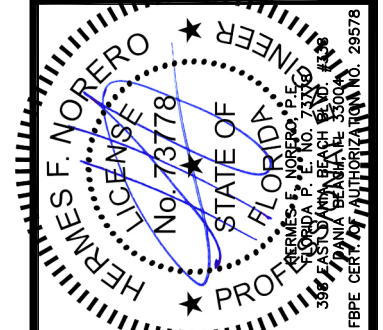
- Sidelite screws located 6" from each end of side jamb and 6 equally spaced screws (total 8 screws).
- Sidelite screws thru header and sill located at 3" from each end and on center line.



4
13 **VERTICAL CROSS SECTION**
Direct to masonry (5-1/4" min jamb)
Outswing shown - Inswing also approved

REVISIONS

NO.	DESCRIPTION	BY	DATE



DATE:	07.14.16
DWN BY:	LS
CHK BY:	HFN
SCALE:	NTS

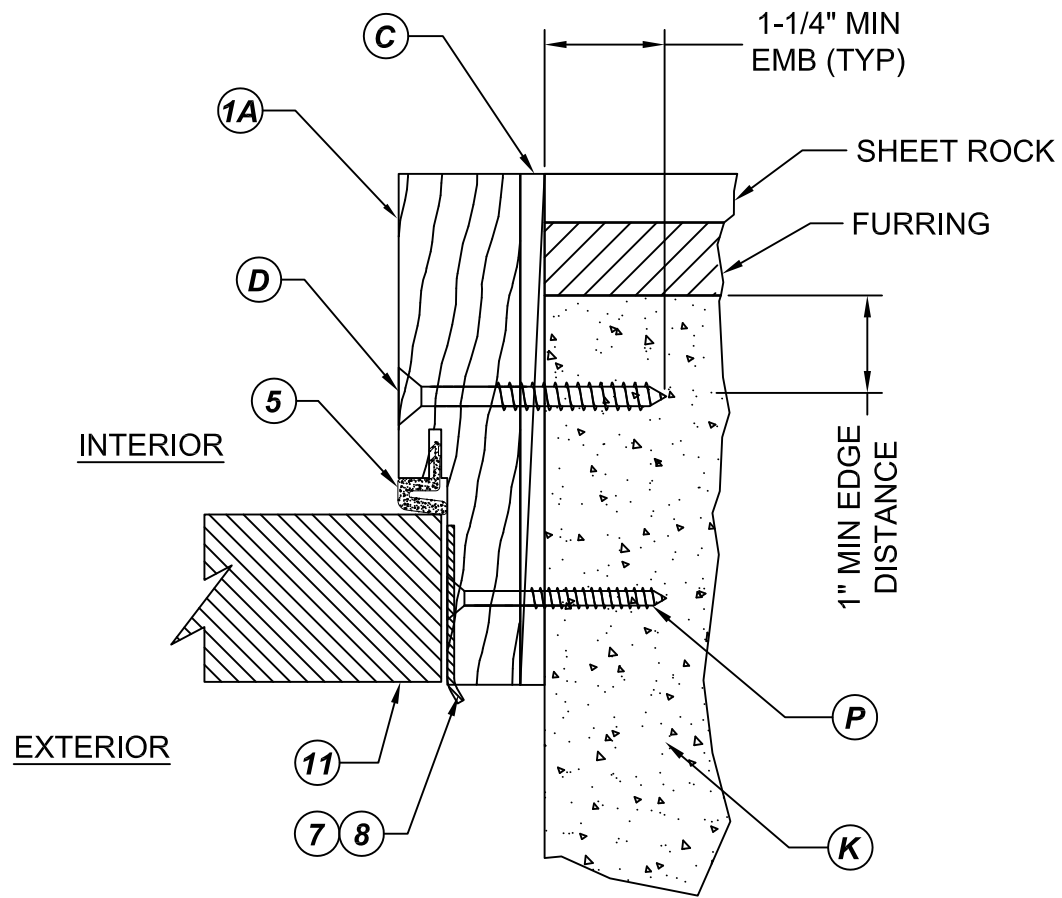
DWG #:
FL-20867.6

SHEET: **13 OF 28**

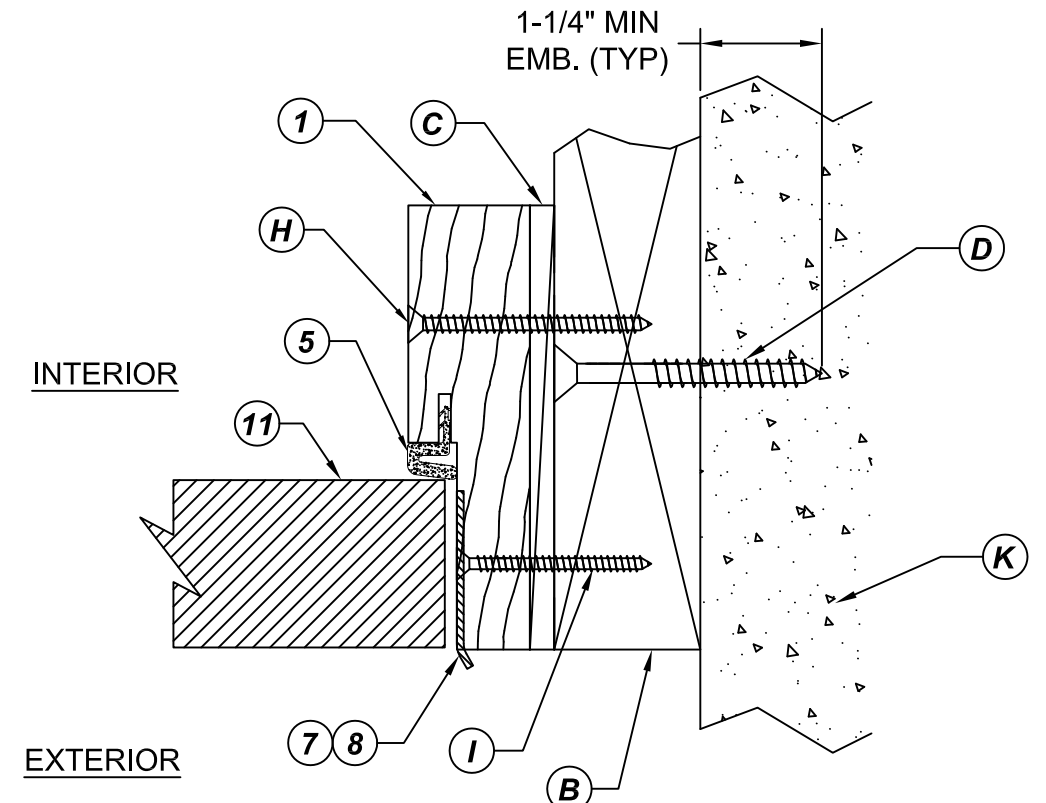
TITLE: OPAQUE FIBERGLASS DOOR
NON-IMP. INSWING/OUTSWING

HORIZONTAL
CROSS SECTIONS

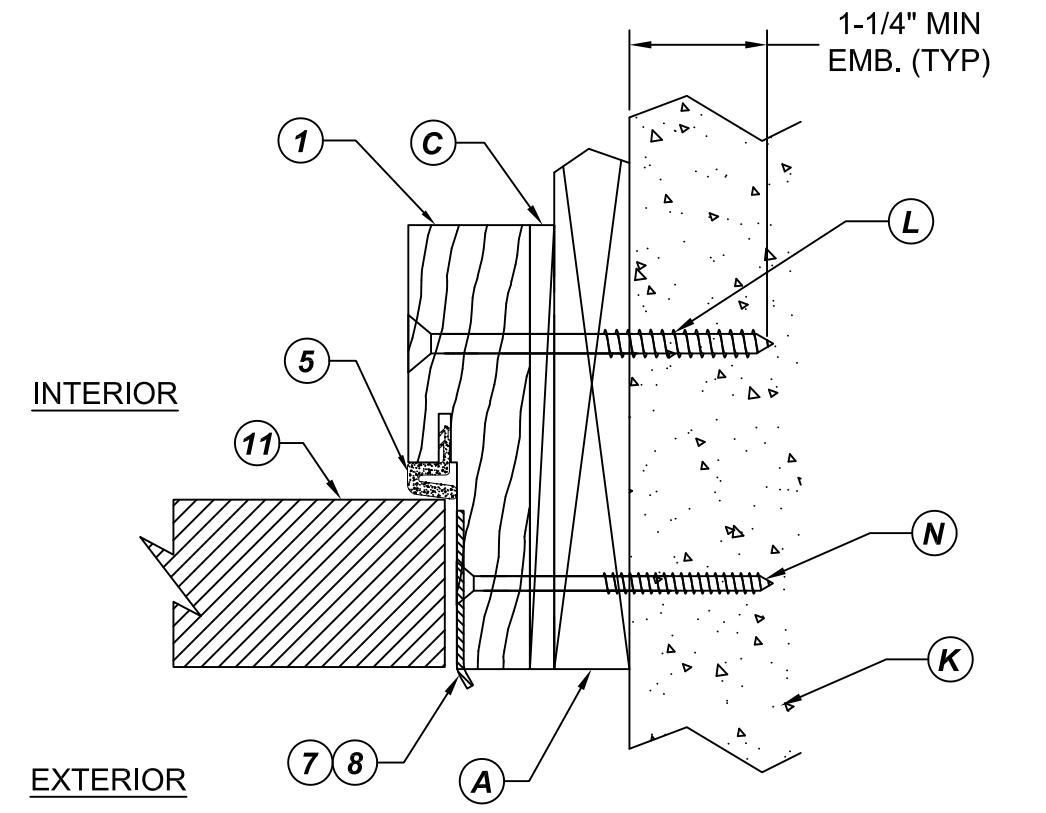
PREPARED BY:
BUILDING DROPS, INC.
398 E. DANIA BEACH BLVD. #338
DANIA BEACH, FL 33004
PH: (954) 399-8478 FX: (954) 744-4738



1
14 **HORIZONTAL CROSS SECTION**
Direct to masonry (5-1/4" min jamb)
Outswing shown - Inswing also approved



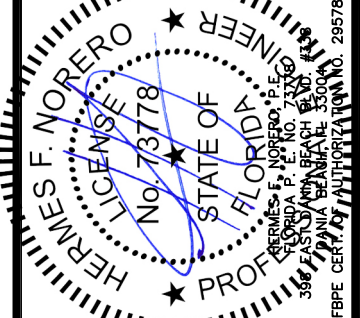
2
14 **HORIZONTAL CROSS SECTION**
SHOWN W/ 2X WOOD BUCK
Outswing shown - Inswing also approved



3
14 **HORIZONTAL CROSS SECTION**
SHOWN W/ 1X WOOD BUCK
Outswing shown - Inswing also approved

REVISIONS

NO.	DESCRIPTION	BY	DATE



DATE: 07.14.16
DWN BY: LS
CHK BY: HFN
SCALE: NTS

DWG #: **FL-20867.6**

SHEET: **14 OF 28**

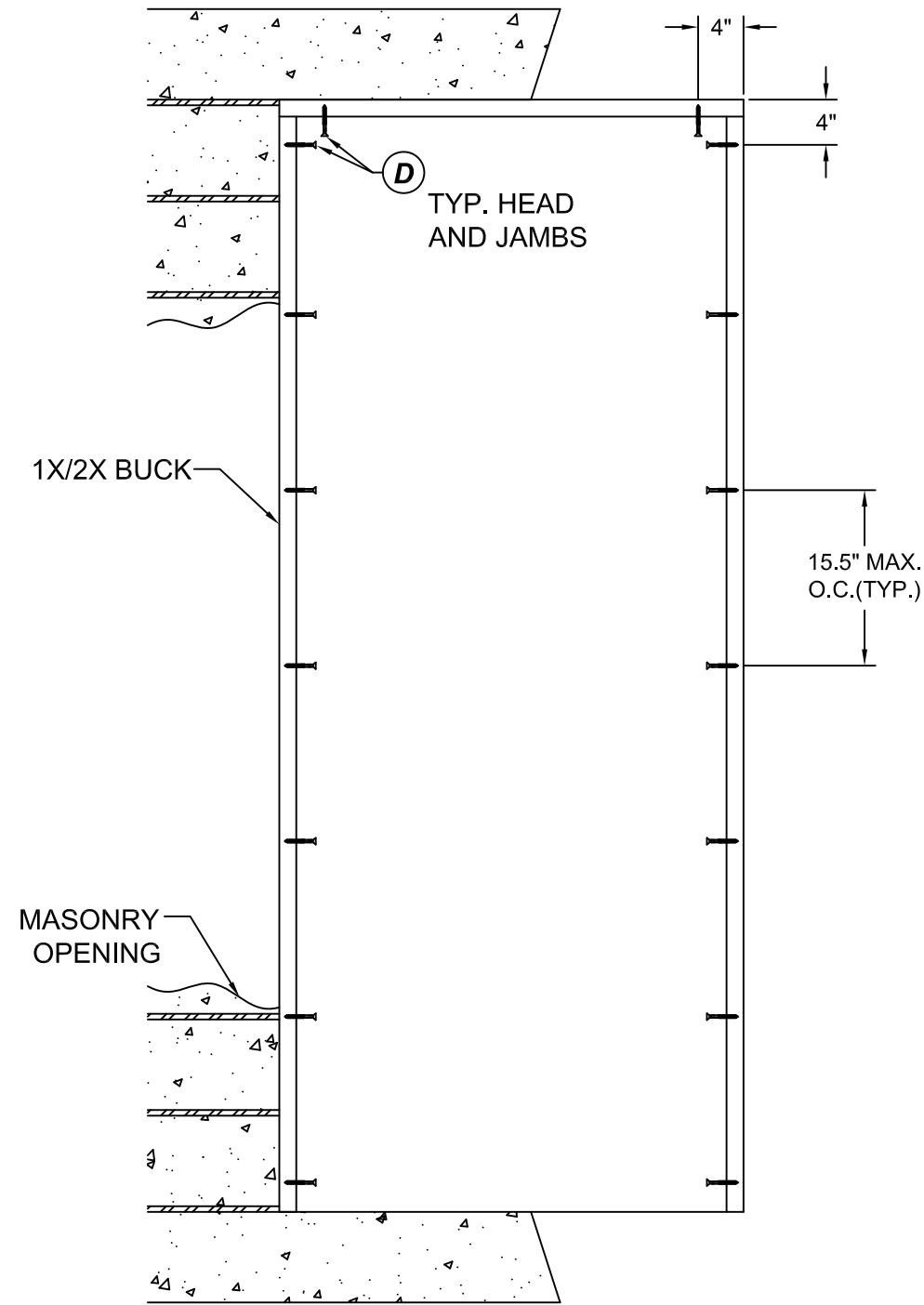
TITLE: OPAQUE FIBERGLASS DOOR
NON-IMP. INSWING/OUTSWING

BUCK
ANCHORING

PREPARED BY:

BUILDING DROPS, INC.
398 E. DANIA BEACH BLVD. #338
DANIA BEACH, FL 33004

PH: (954) 399-8478 FX: (954) 744-4738



BUCK ANCHORING

CONCRETE ANCHOR NOTES:

- Concrete anchor locations noted as "MAX ON CENTER" and at the corners must be adjusted to maintain min. edge distance to mortar joints. Additional concrete anchors may be required to ensure the "MAX ON CENTER" dimensions are not exceeded.
- Concrete anchor table:

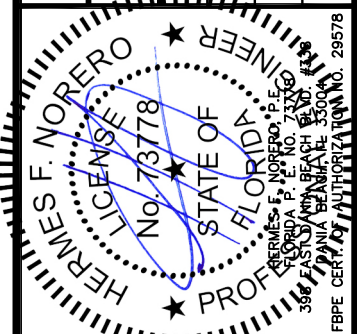
ANCHOR TYPE	ANCHOR SIZE	MIN. EMBEDMENT	MIN. CLEARANCE TO MASONRY EDGE	MIN CLEARANCE TO ADJUSTMENT ANCHOR
ITW BUILDEX TAPCON®	1/4"	1-1/4"	2"	4"
ELCO ULTRACON®	1/4"	1-1/4"	1"	4"
ITW BUILDEX TAPCON®	3/16"	1-1/4"	3"	1-1/2"

WOOD SCREW INSTALLATION NOTES:

- Maintain a min. 5/8" edge distance, & 1" o.c. spacing of wood screws to prevent splitting of wood.

REVISIONS

NO.	DESCRIPTION	BY	DATE



DATE: 07.14.16
DWN BY: LS
CHK BY: HFN
SCALE: NTS

DWG #: **FL-20867.6**

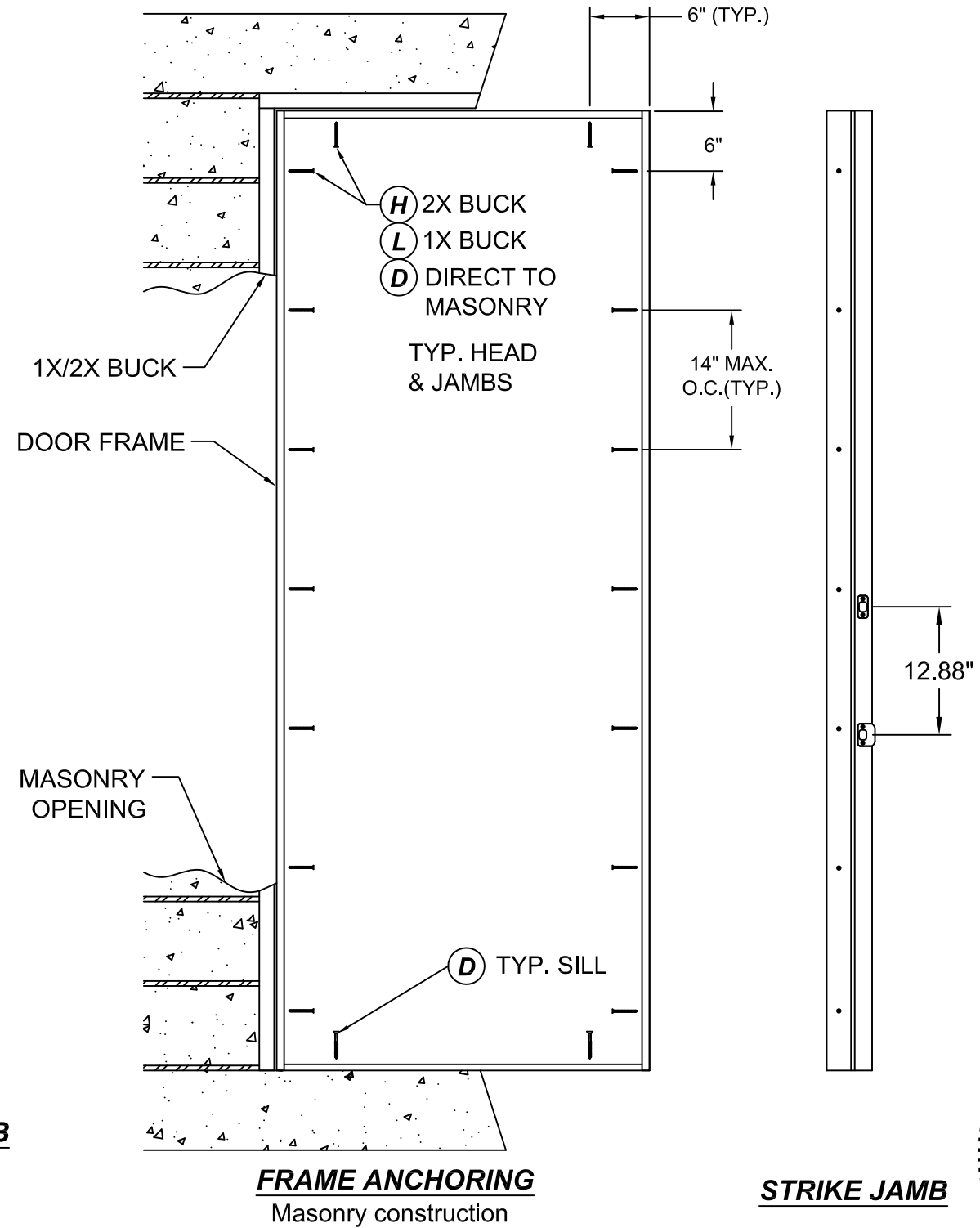
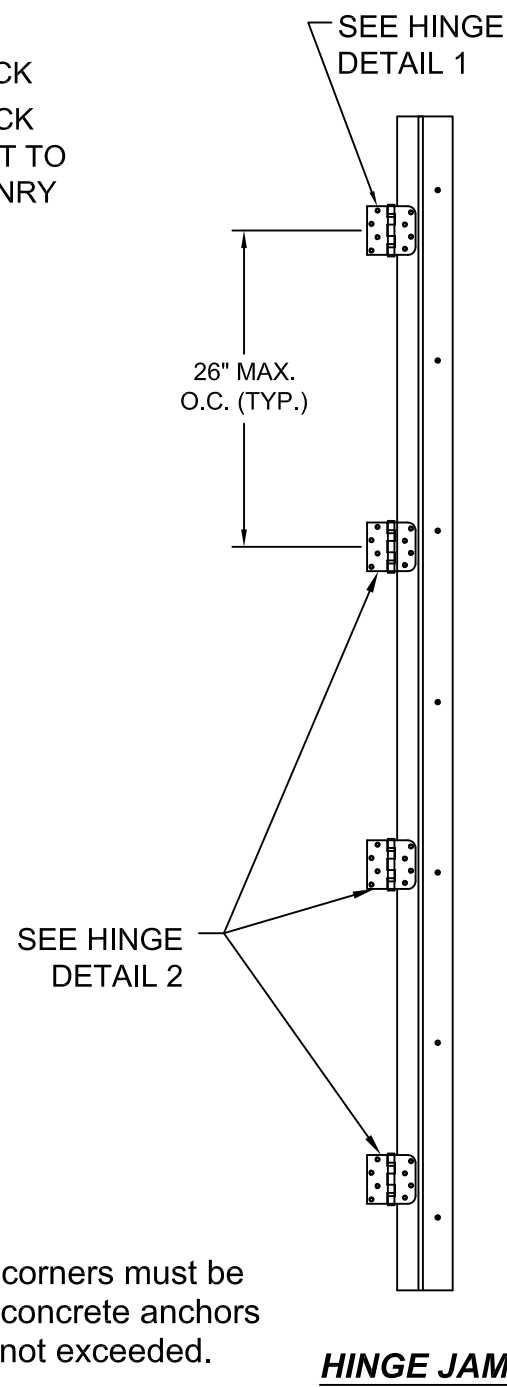
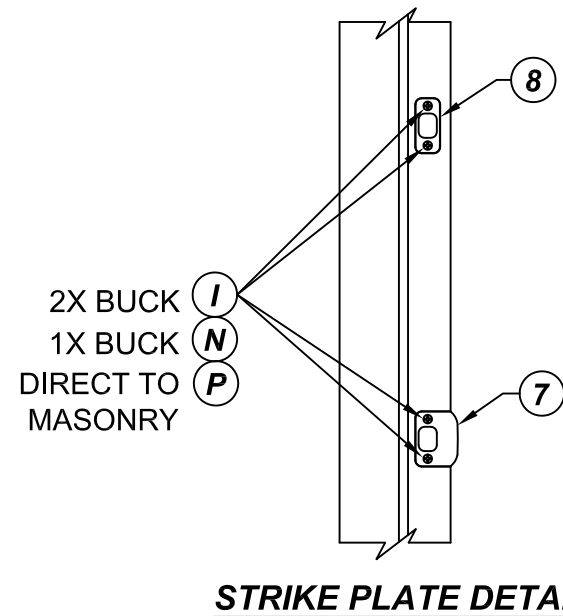
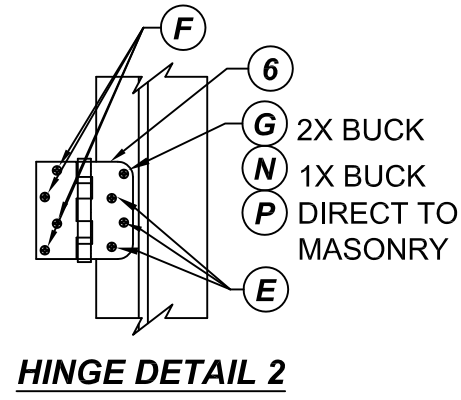
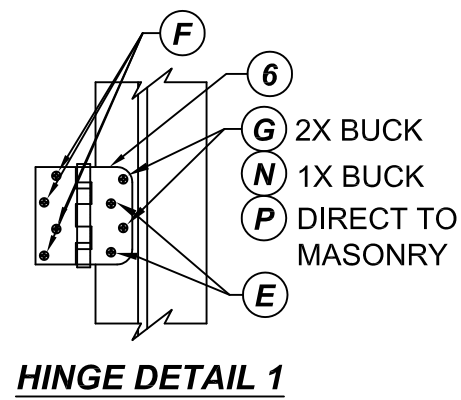
SHEET: **15 OF 28**

TITLE: OPAQUE FIBERGLASS DOOR
NON-IMP. INSWING/OUTSWING

FRAME ANCHORING

PREPARED BY:
BUILDING DROPS, INC.
398 E. DANIA BEACH BLVD. #338
DANIA BEACH, FL 33004

PH: (954) 399-8478 FX: (954) 744-4738



CONCRETE ANCHOR NOTES:

- Concrete anchor locations noted as "MAX ON CENTER" and at the corners must be adjusted to maintain min. edge distance to mortar joints. Additional concrete anchors may be required to ensure the "MAX ON CENTER" dimensions are not exceeded.
- Concrete anchor table:

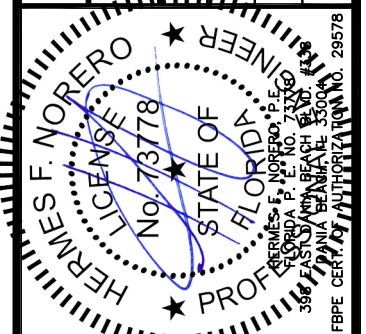
ANCHOR TYPE	ANCHOR SIZE	MIN. EMBEDMENT	MIN. CLEARANCE TO MASONRY EDGE	MIN CLEARANCE TO ADJUSTMENT ANCHOR
ITW BUILDEX TAPCON®	1/4"	1-1/4"	2"	4"
ELCO ULTRACON®	1/4"	1-1/4"	1"	4"
ITW BUILDEX TAPCON®	3/16"	1-1/4"	3"	1-1/2"

WOOD SCREW INSTALLATION NOTES:

- Maintain a min. 5/8" edge distance, & 1" o.c. spacing of wood screws to prevent splitting of wood.

REVISIONS

NO.	DESCRIPTION	BY	DATE



DATE: 07.14.16
DWN BY: LS
CHK BY: HFN
SCALE: NTS

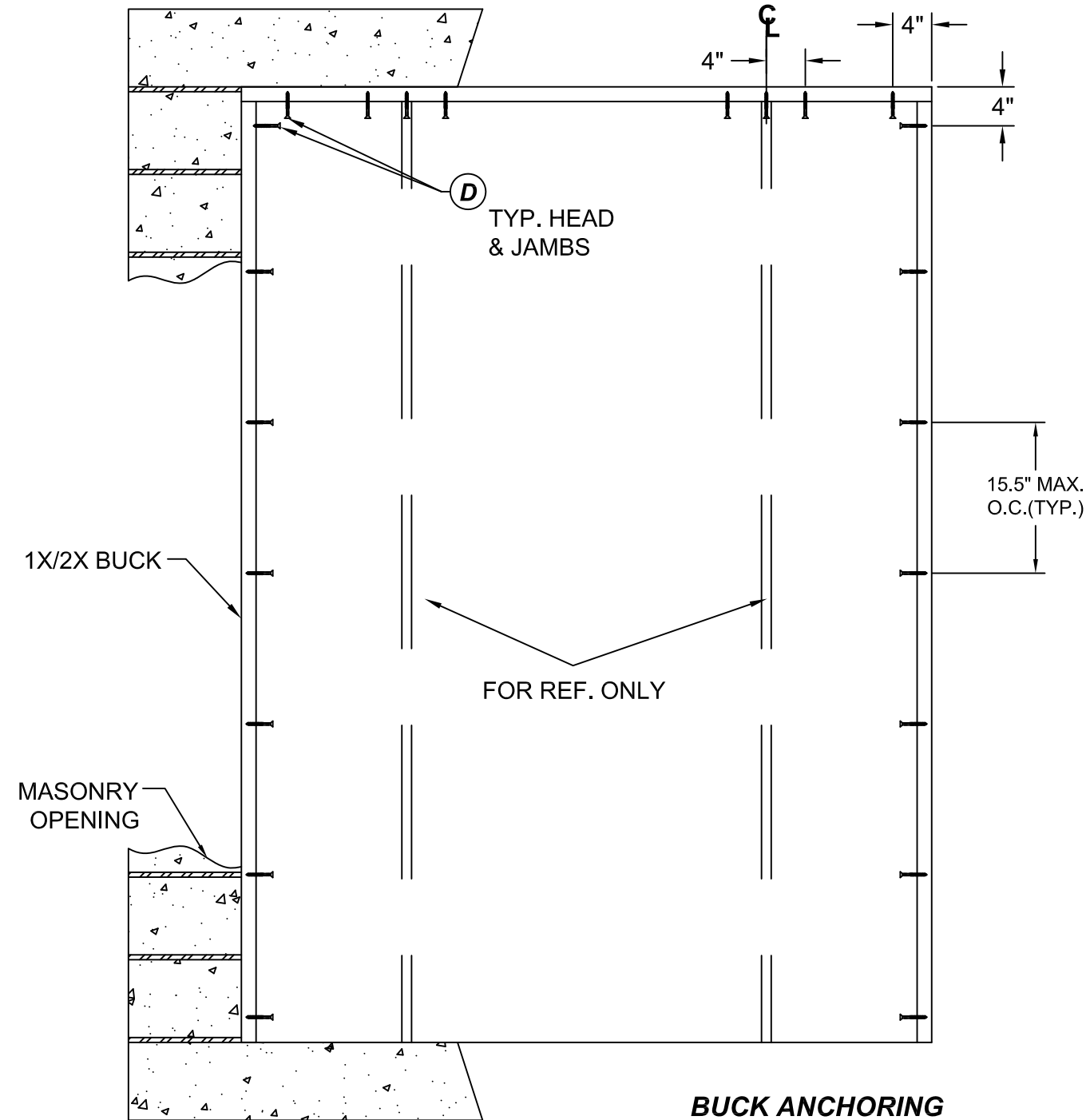
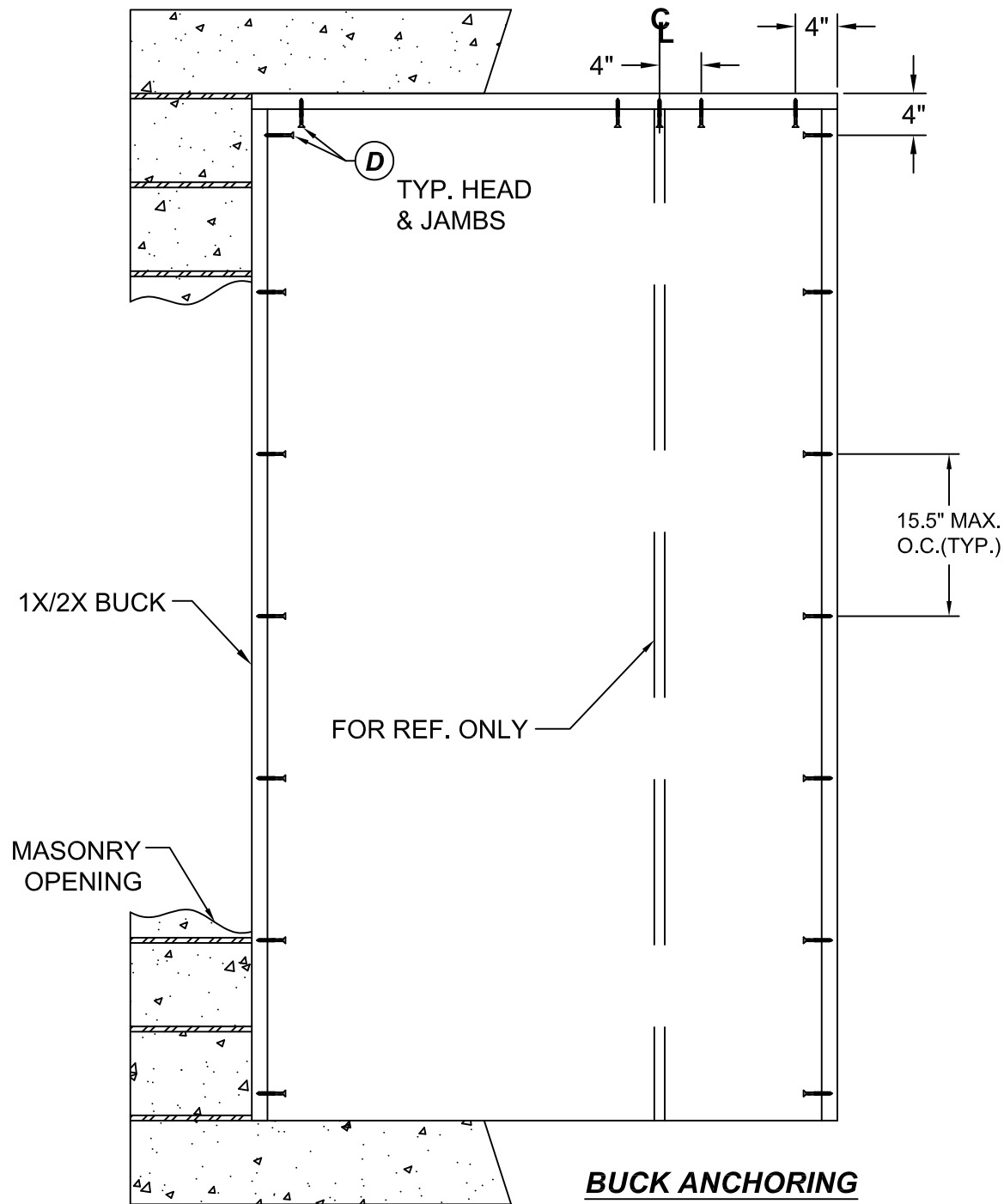
DWG #: **FL-20867.6**

SHEET: **16 OF 28**

TITLE: OPAQUE FIBERGLASS DOOR
NON-IMP. INSWING/OUTSWING

BUCK ANCHORING

PREPARED BY:
BUILDING DROPS, INC.
398 E. DANIA BEACH BLVD. #338
DANIA BEACH, FL 33004
PH: (954) 399-8478 FX: (954) 744-4738



CONCRETE ANCHOR NOTES:

- Concrete anchor locations noted as "MAX ON CENTER" and at the corners must be adjusted to maintain min. edge distance to mortar joints. Additional concrete anchors may be required to ensure the "MAX ON CENTER" dimensions are not exceeded.
- Concrete anchor table:

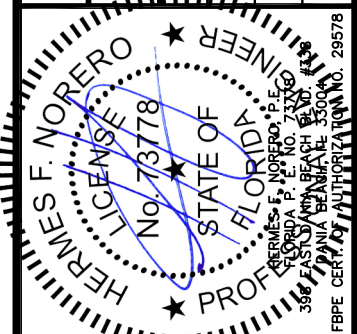
ANCHOR TYPE	ANCHOR SIZE	MIN. EMBEDMENT	MIN. CLEARANCE TO MASONRY EDGE	MIN CLEARANCE TO ADJUSTMENT ANCHOR
ITW BUILDEX TAPCON®	1/4"	1-1/4"	2"	4"
ELCO ULTRAACON®	1/4"	1-1/4"	1"	4"
ITW BUILDEX TAPCON®	3/16"	1-1/4"	3"	1-1/2"

WOOD SCREW INSTALLATION NOTES:

- Maintain a min. 5/8" edge distance, & 1" o.c. spacing of wood screws to prevent splitting of wood.

REVISIONS

NO.	DESCRIPTION	BY	DATE



DATE: 07.14.16
DWN BY: LS
CHK BY: HFN
SCALE: NTS

DWG #: **FL-20867.6**

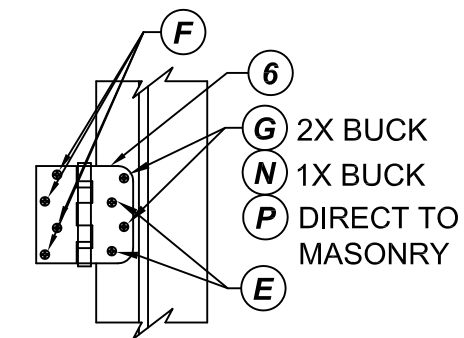
SHEET: **17 OF 28**

TITLE: OPAQUE FIBERGLASS DOOR
NON-IMP. INSWING/OUTSWING

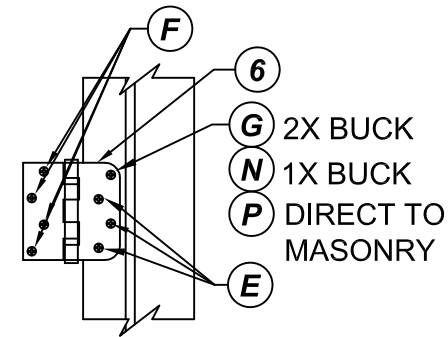
FRAME ANCHORING

PREPARED BY:
BUILDING DROPS, INC.

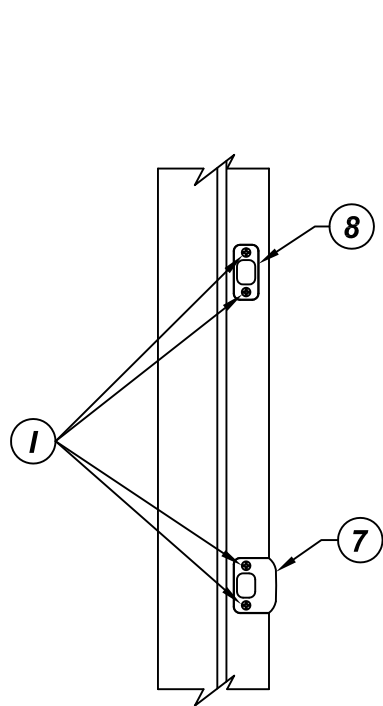
398 E. DANIA BEACH BLVD. #338
DANIA BEACH, FL 33004
PH: (954) 399-8478 FX: (954) 744-4738



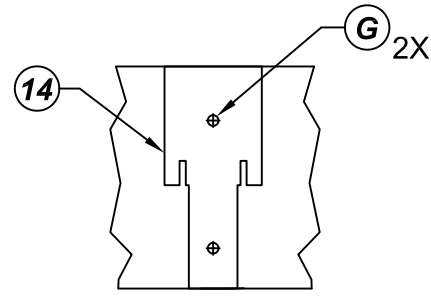
HINGE DETAIL 1



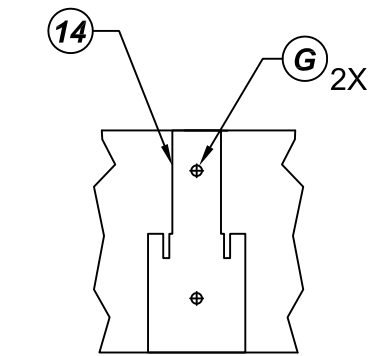
HINGE DETAIL 2



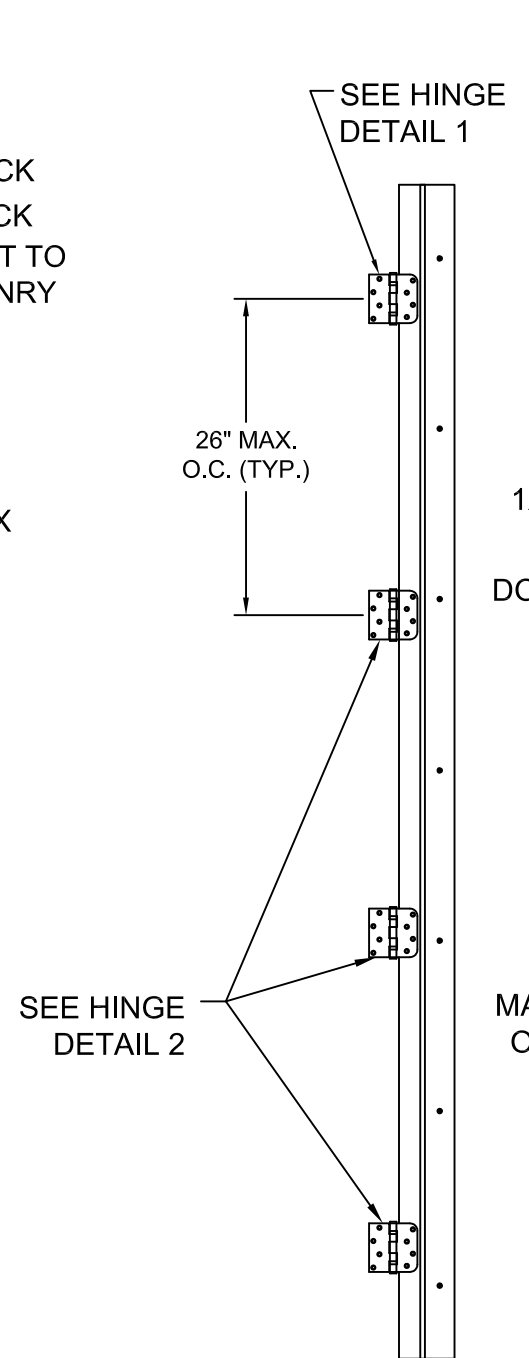
STRIKE PLATE DETAIL



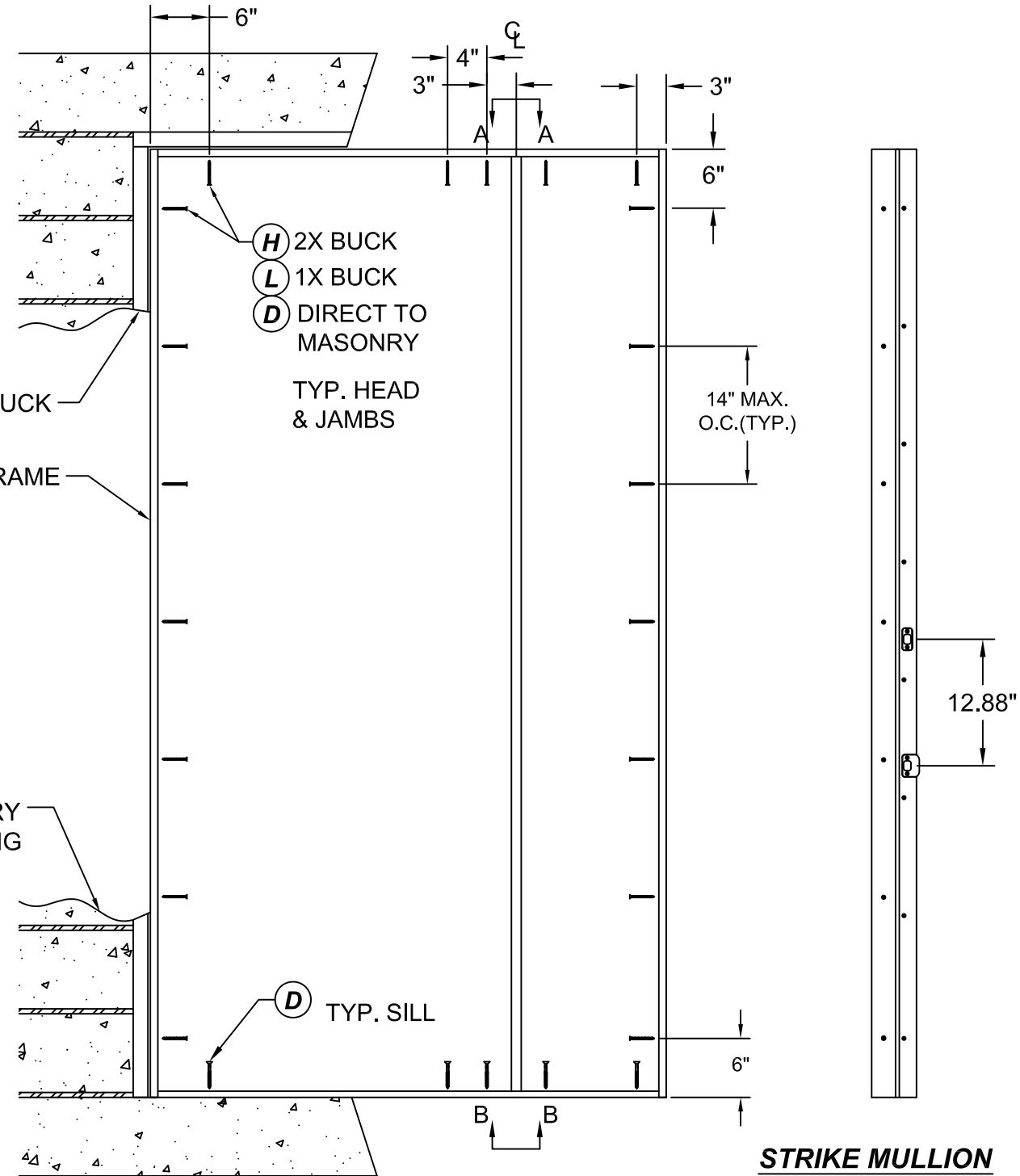
VIEW A-A
Head to mullion attachment



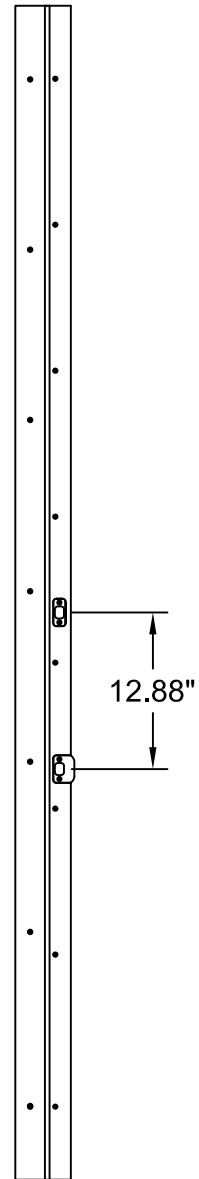
VIEW B-B
Sill to mullion attachment



HINGE JAMB



FRAME ANCHORING
Masonry construction



STRIKE MULLION

CONCRETE ANCHOR NOTES:

- Concrete anchor locations noted as "MAX ON CENTER" and at the corners must be adjusted to maintain min. edge distance to mortar joints. Additional concrete anchors may be required to ensure the "MAX ON CENTER" dimensions are not exceeded.
- Concrete anchor table:

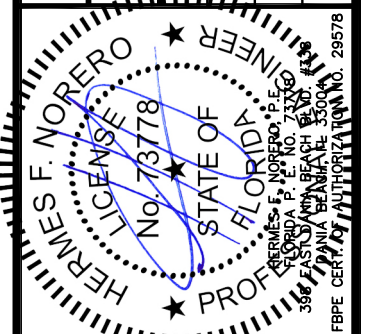
ANCHOR TYPE	ANCHOR SIZE	MIN. EMBEDMENT	MIN. CLEARANCE TO MASONRY EDGE	MIN CLEARANCE TO ADJUSTMENT ANCHOR
ITW BUILDEX TAPCON®	1/4"	1-1/4"	2"	4"
ELCO ULTRACON®	1/4"	1-1/4"	1"	4"
ITW BUILDEX TAPCON®	3/16"	1-1/4"	3"	1-1/2"

WOOD SCREW INSTALLATION NOTES:

- Maintain a min. 5/8" edge distance, & 1" o.c. spacing of wood screws to prevent splitting of wood.

REVISIONS

NO.	DESCRIPTION	BY	DATE



DATE: 07.14.16	DWN BY: LS	CHK BY: HFN	SCALE: NTS
-------------------	---------------	----------------	---------------

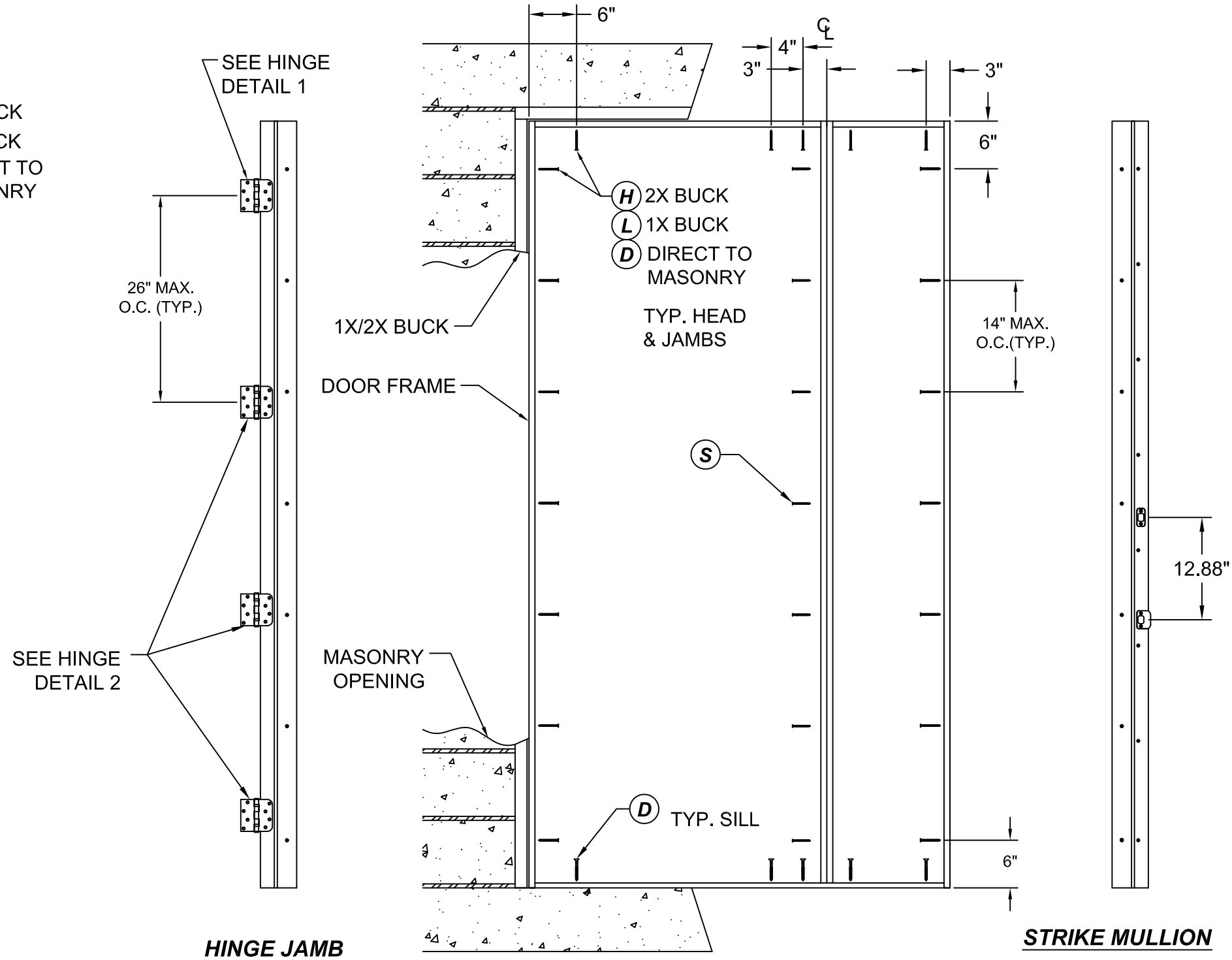
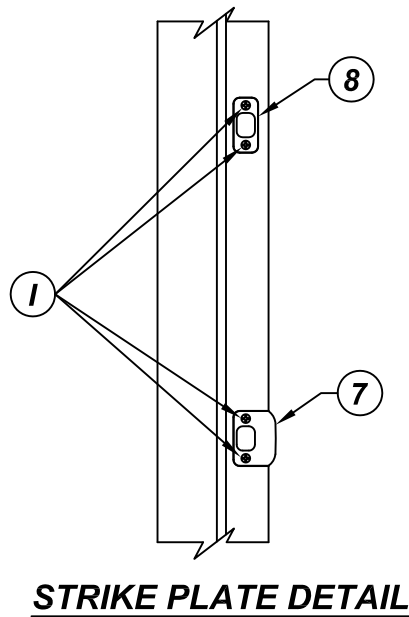
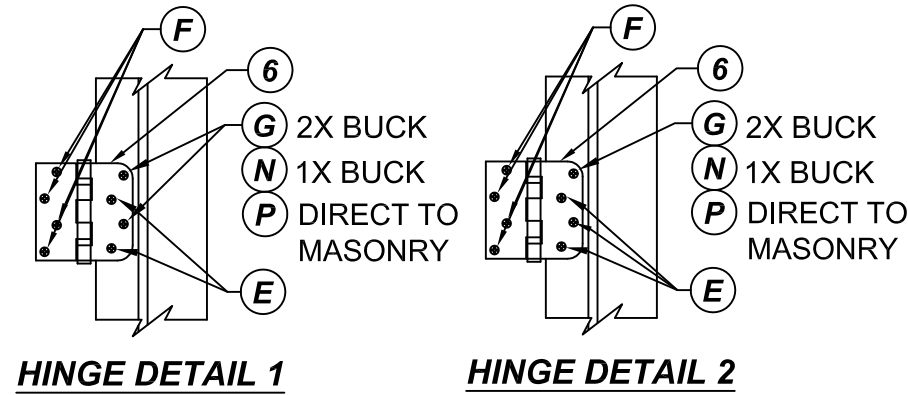
DWG #:
FL-20867.6

SHEET: **18 OF 28**

TITLE: OPAQUE FIBERGLASS DOOR
NON-IMP. INSWING/OUTSWING

FRAME ANCHORING

PREPARED BY:
BUILDING DROPS, INC.
398 E. DANIA BEACH BLVD. #3338
DANIA BEACH, FL 33004
PH: (954) 399-8478 FX: (954) 744-4738



CONCRETE ANCHOR NOTES:

- Concrete anchor locations noted as "MAX ON CENTER" and at the corners must be adjusted to maintain min. edge distance to mortar joints. Additional concrete anchors may be required to ensure the "MAX ON CENTER" dimensions are not exceeded.
- Concrete anchor table:

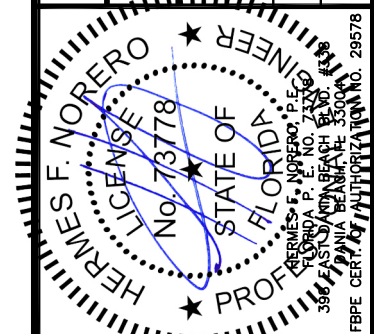
ANCHOR TYPE	ANCHOR SIZE	MIN. EMBEDMENT	MIN. CLEARANCE TO MASONRY EDGE	MIN CLEARANCE TO ADJUSTMENT ANCHOR
ITW BUILDEX TAPCON®	1/4"	1-1/4"	2"	4"
ELCO ULTRACON®	1/4"	1-1/4"	1"	4"
ITW BUILDEX TAPCON®	3/16"	1-1/4"	3"	1-1/2"

WOOD SCREW INSTALLATION NOTES:

- Maintain a min. 5/8" edge distance, & 1" o.c. spacing of wood screws to prevent splitting of wood.

REVISIONS

NO.	DESCRIPTION	BY	DATE



DATE: 07.14.16
 DWN BY: LS
 CHK BY: HFN
 SCALE: NTS

DWG #: **FL-20867.6**

SHEET: **19 OF 28**

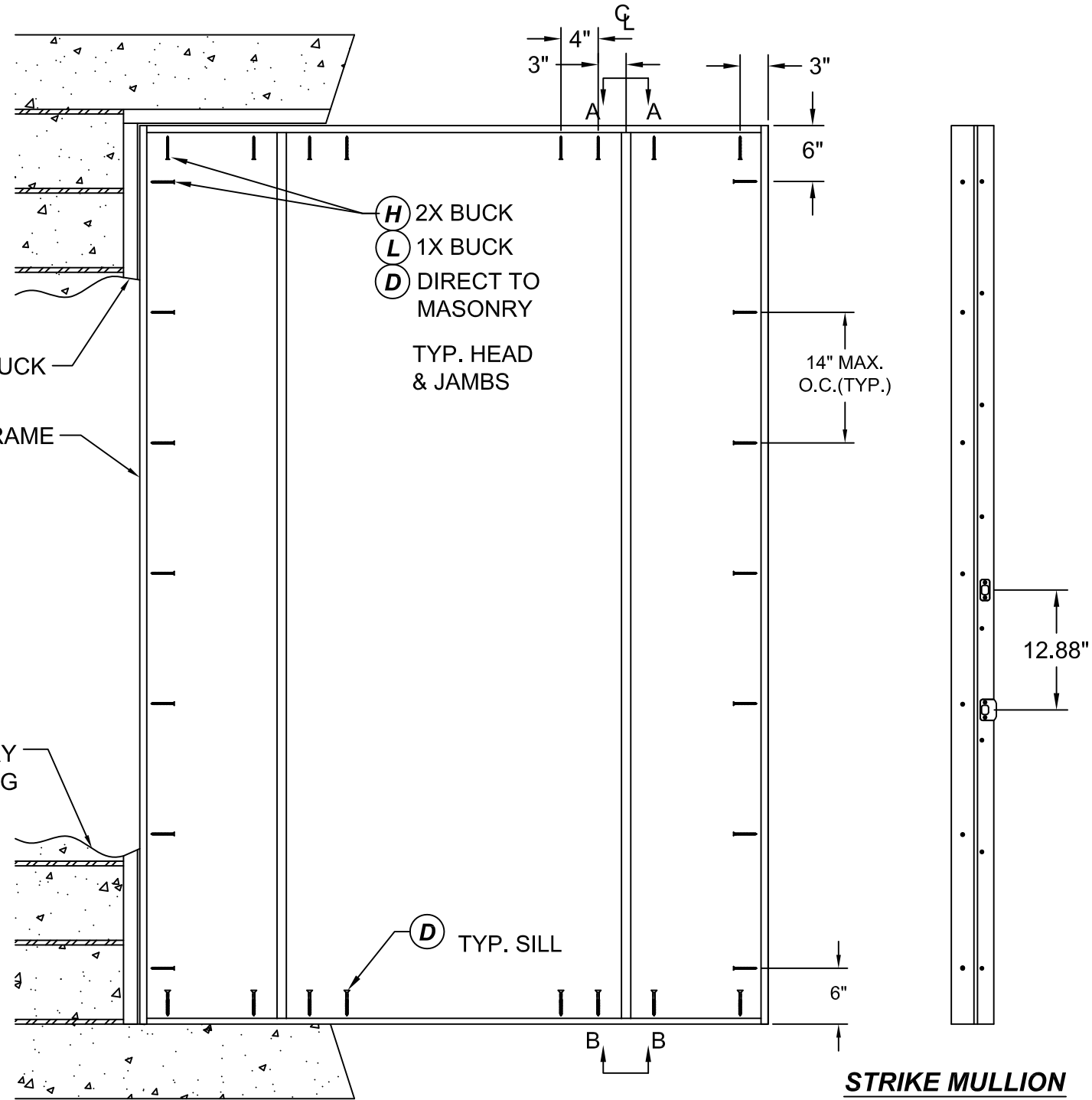
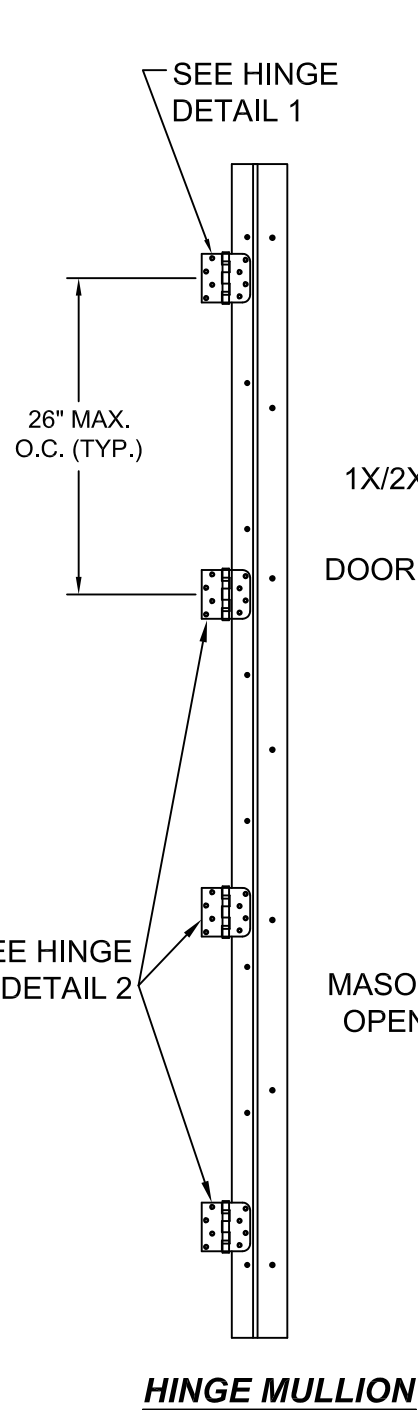
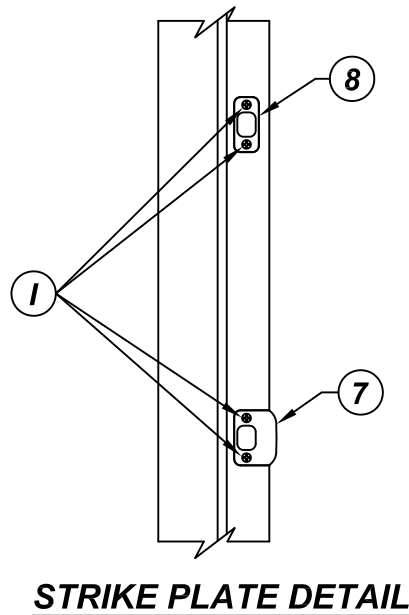
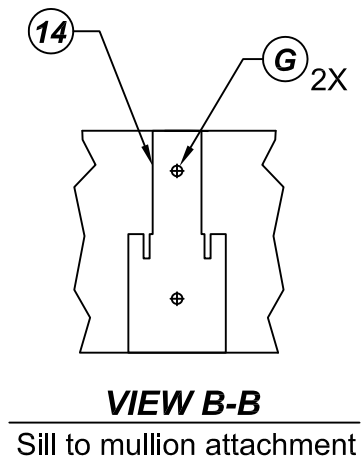
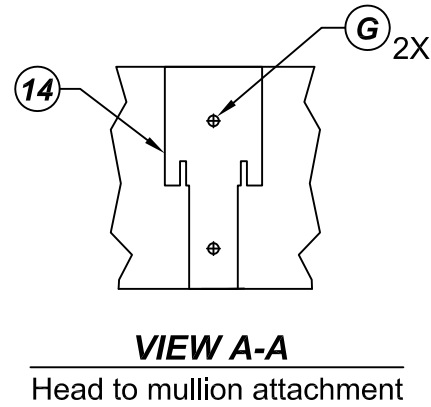
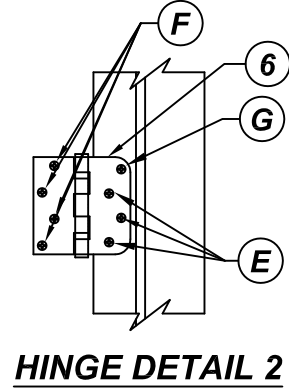
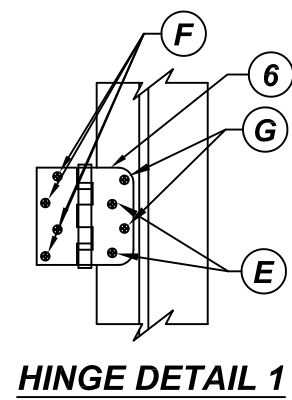
TITLE: OPAQUE FIBERGLASS DOOR
NON-IMP. INSWING/OUTSWING

FRAME ANCHORING

PREPARED BY:

BUILDING DROPS, INC.
398 E. DANIA BEACH BLVD. #338
DANIA BEACH, FL 33004

PH: (954) 399-8478 FX: (954) 744-4738



CONCRETE ANCHOR NOTES:

- Concrete anchor locations noted as "MAX ON CENTER" and at the corners must be adjusted to maintain min. edge distance to mortar joints. Additional concrete anchors may be required to ensure the "MAX ON CENTER" dimensions are not exceeded.
- Concrete anchor table:

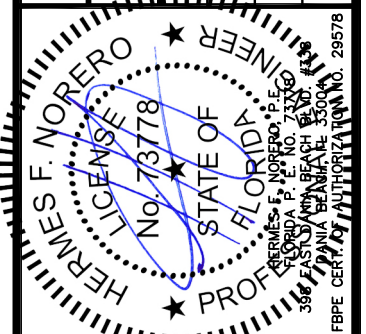
ANCHOR TYPE	ANCHOR SIZE	MIN. EMBEDMENT	MIN. CLEARANCE TO MASONRY EDGE	MIN CLEARANCE TO ADJUSTMENT ANCHOR
ITW BUILDEX TAPCON®	1/4"	1-1/4"	2"	4"
ELCO ULTRACON®	1/4"	1-1/4"	1"	4"
ITW BUILDEX TAPCON®	3/16"	1-1/4"	3"	1-1/2"

WOOD SCREW INSTALLATION NOTES:

- Maintain a min. 5/8" edge distance, & 1" o.c. spacing of wood screws to prevent splitting of wood.

REVISIONS

NO.	DESCRIPTION	BY	DATE



DATE: 07.14.16
DWN BY: LS
CHK BY: HFN
SCALE: NTS

DWG #: **FL-20867.6**

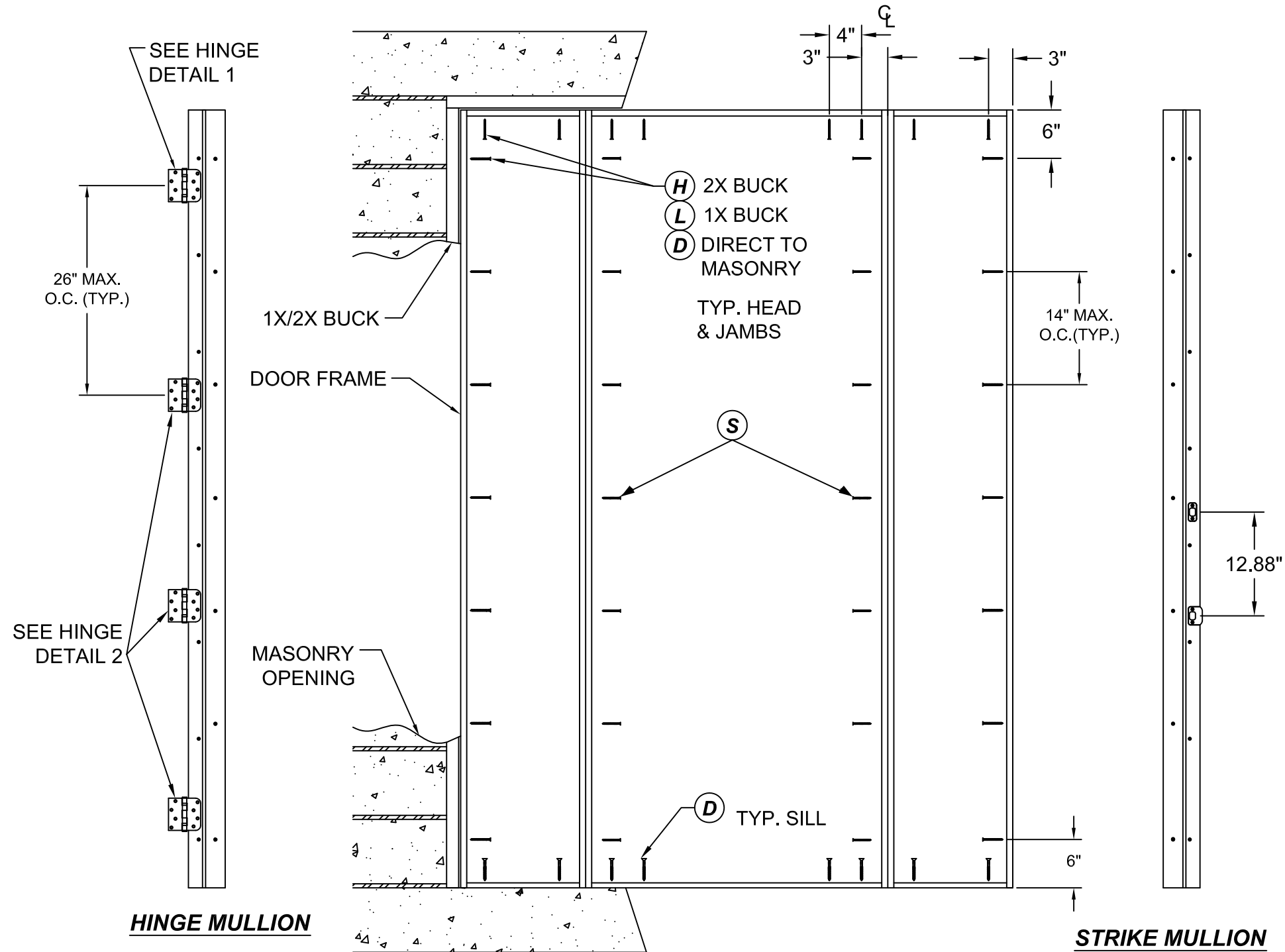
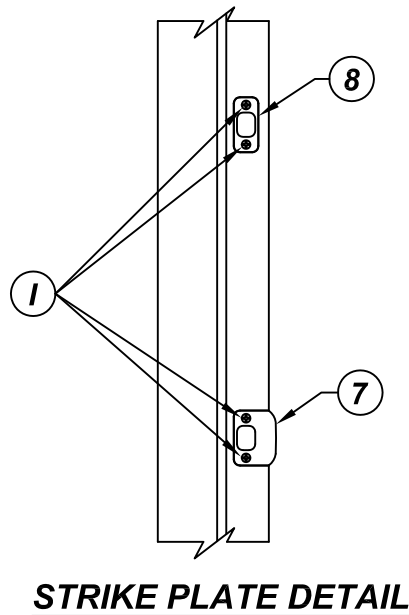
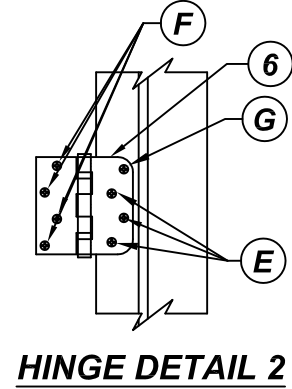
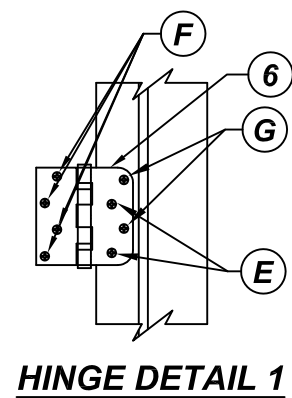
SHEET: **20 OF 28**

TITLE: OPAQUE FIBERGLASS DOOR
NON-IMP. INSWING/OUTSWING

FRAME ANCHORING

PREPARED BY:
BUILDING DROPS, INC.

398 E. DANIA BEACH BLVD. #338
DANIA BEACH, FL 33004
PH: (954) 399-8478 FX: (954) 744-4738



CONCRETE ANCHOR NOTES:

- Concrete anchor locations noted as "MAX ON CENTER" and at the corners must be adjusted to maintain min. edge distance to mortar joints. Additional concrete anchors may be required to ensure the "MAX ON CENTER" dimensions are not exceeded.
- Concrete anchor table:

ANCHOR TYPE	ANCHOR SIZE	MIN. EMBEDMENT	MIN. CLEARANCE TO MASONRY EDGE	MIN CLEARANCE TO ADJUSTMENT ANCHOR
ITW BUILDDEX TAPCON®	1/4"	1-1/4"	2"	4"
ELCO ULTRACON®	1/4"	1-1/4"	1"	4"
ITW BUILDDEX TAPCON®	3/16"	1-1/4"	3"	1-1/2"

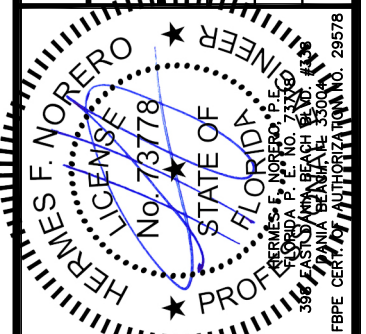
WOOD SCREW INSTALLATION NOTES:

- Maintain a min. 5/8" edge distance, & 1" o.c. spacing of wood screws to prevent splitting of wood.

FRAME ANCHORING
Masonry construction

REVISIONS

NO.	DESCRIPTION	BY	DATE



DATE: 07.14.16
DWN BY: LS
CHK BY: HFN
SCALE: NTS

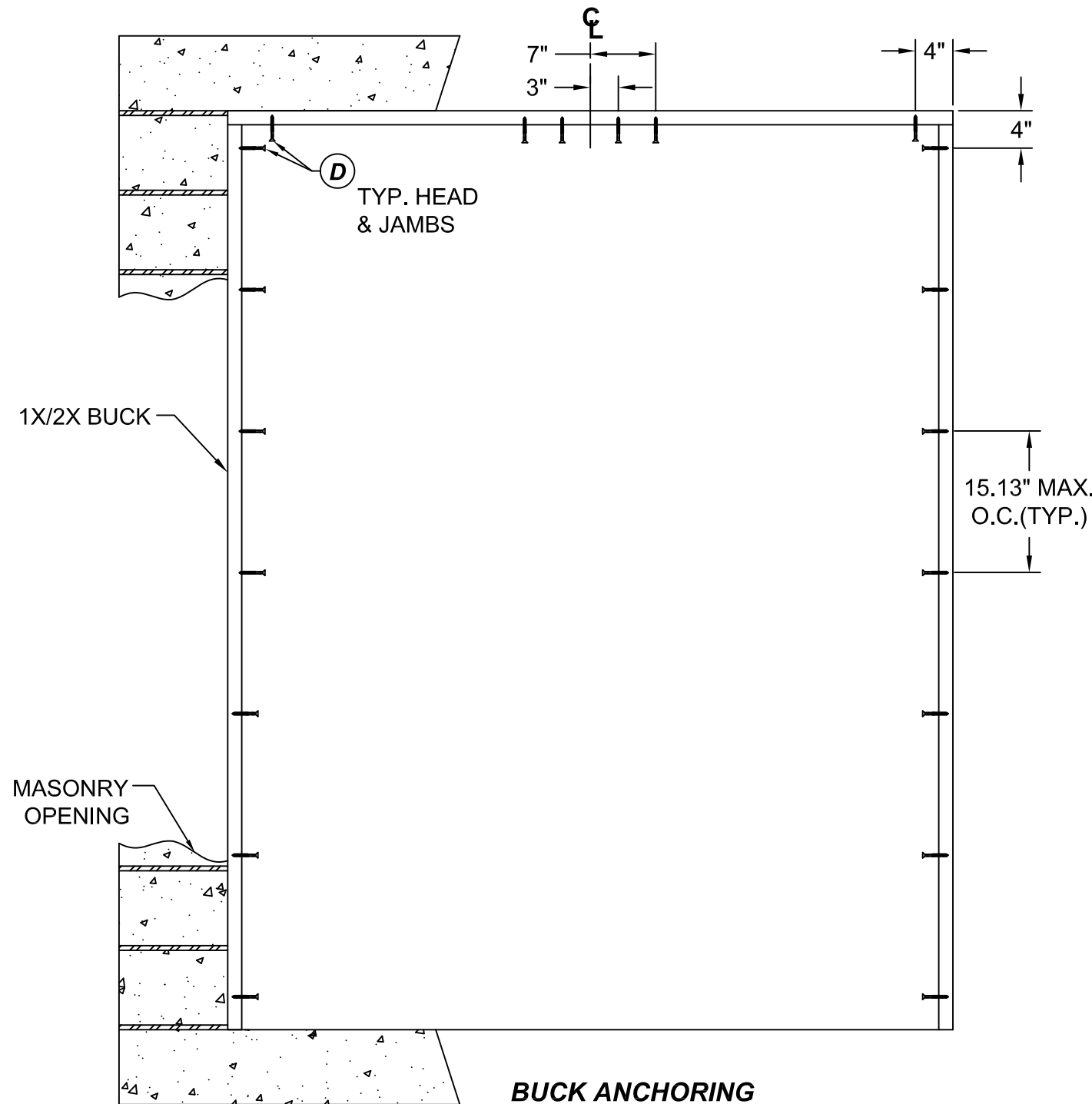
DWG #: **FL-20867.6**

SHEET: **21 OF 28**

TITLE: OPAQUE FIBERGLASS DOOR
NON-IMP. INSWING/OUTSWING

BUCK ANCHORING

PREPARED BY:
BUILDING DROPS, INC.
398 E. DANIA BEACH BLVD. #338
DANIA BEACH, FL 33004
PH: (954) 399-8478 FX: (954) 744-4738



BUCK ANCHORING

CONCRETE ANCHOR NOTES:

- Concrete anchor locations noted as "MAX ON CENTER" and at the corners must be adjusted to maintain min. edge distance to mortar joints. Additional concrete anchors may be required to ensure the "MAX ON CENTER" dimensions are not exceeded.
- Concrete anchor table:

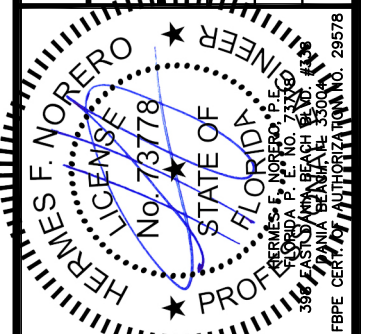
ANCHOR TYPE	ANCHOR SIZE	MIN. EMBEDMENT	MIN. CLEARANCE TO MASONRY EDGE	MIN CLEARANCE TO ADJUSTMENT ANCHOR
ITW BUILDEX TAPCON®	1/4"	1-1/4"	2"	4"
ELCO ULTRACON®	1/4"	1-1/4"	1"	4"
ITW BUILDEX TAPCON®	3/16"	1-1/4"	3"	1-1/2"

WOOD SCREW INSTALLATION NOTES:

- Maintain a min. 5/8" edge distance, & 1" o.c. spacing of wood screws to prevent splitting of wood.

REVISIONS

NO.	DESCRIPTION	BY	DATE



DATE: 07.14.16
DWN BY: LS
CHK BY: HFN
SCALE: NTS

DWG #: **FL-20867.6**

SHEET: **22 OF 28**

TITLE: OPAQUE FIBERGLASS DOOR
NON-IMP. INSWING/OUTSWING

FRAME ANCHORING

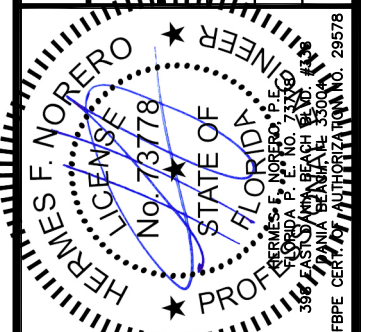
PREPARED BY:

BUILDING DROPS, INC.
398 E. DANIA BEACH BLVD. #338
DANIA BEACH, FL 33004

PH: (954) 399-8478 FX: (954) 744-4738

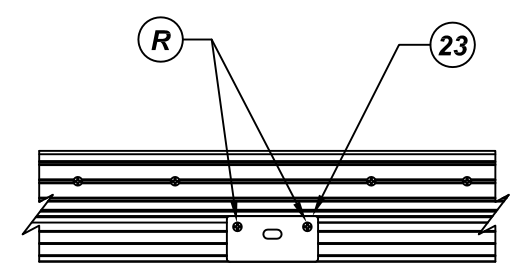
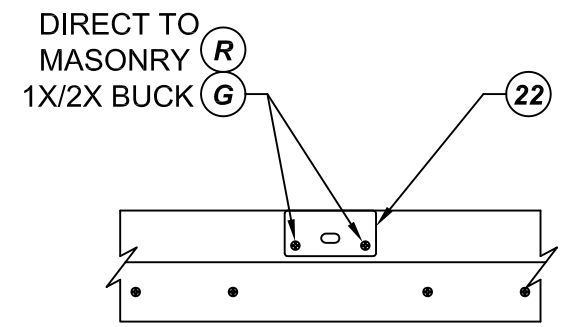
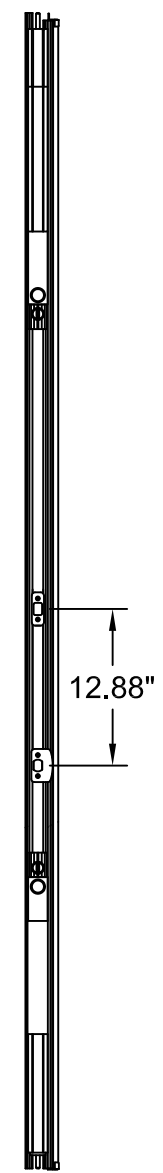
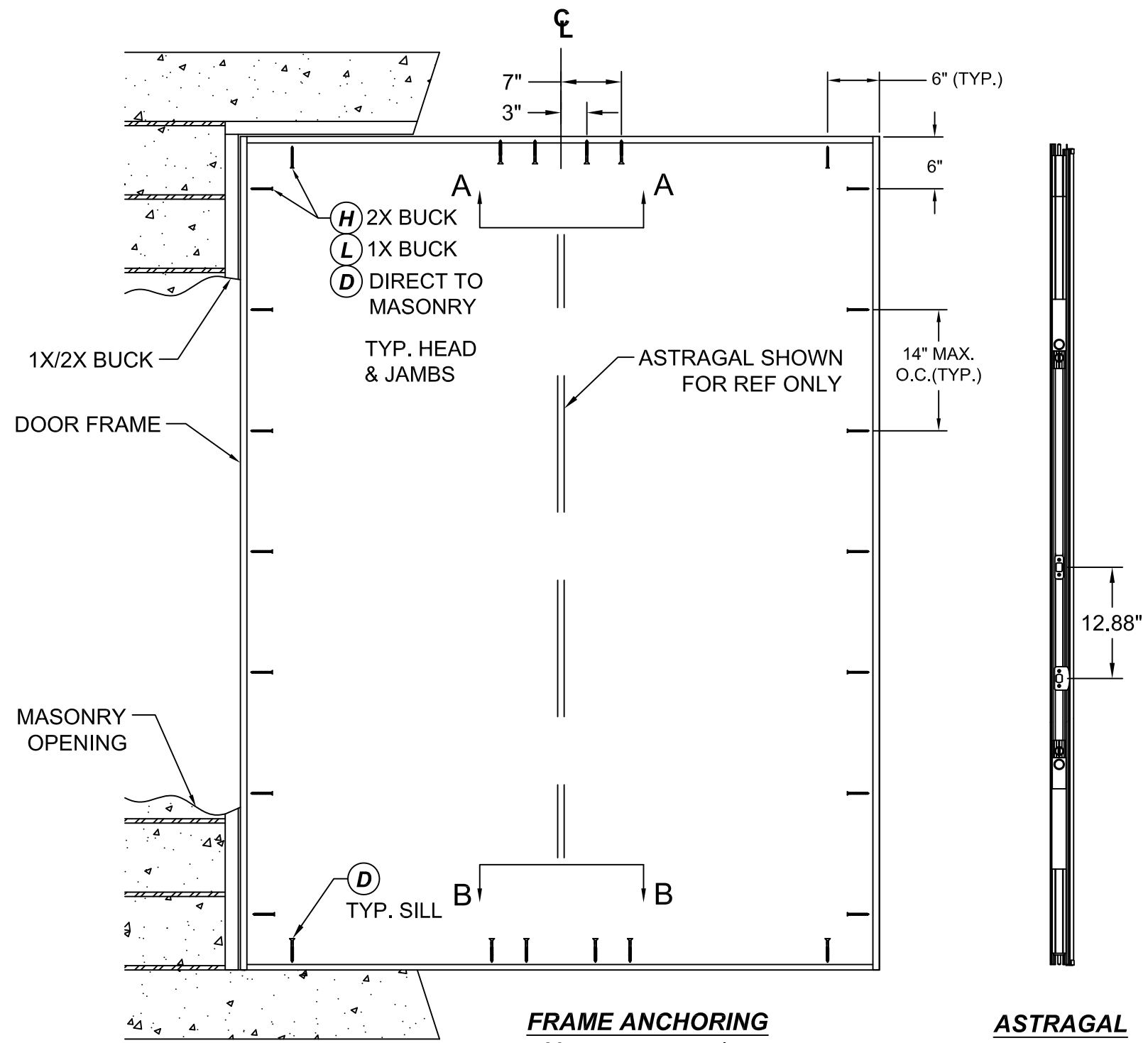
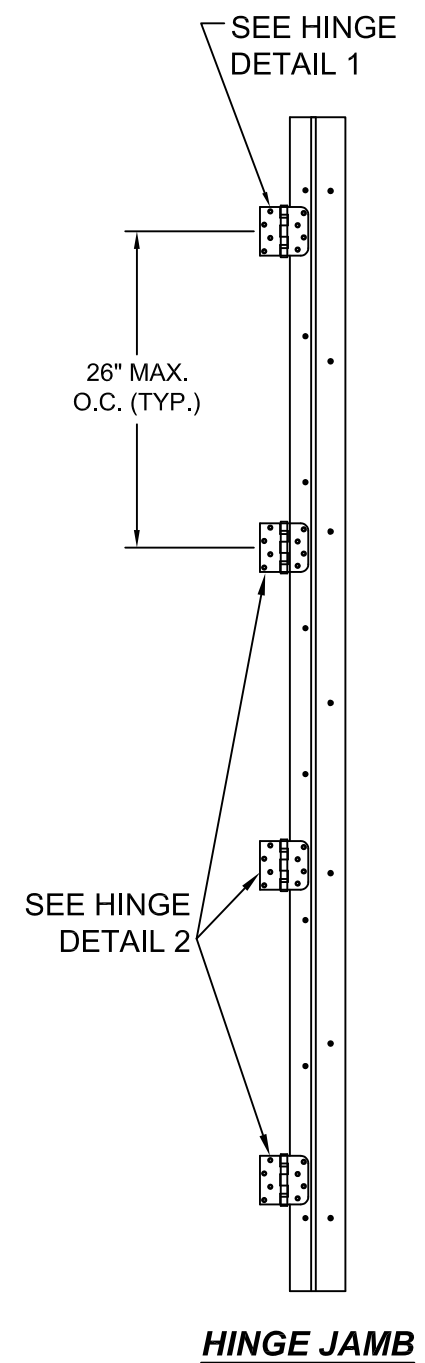
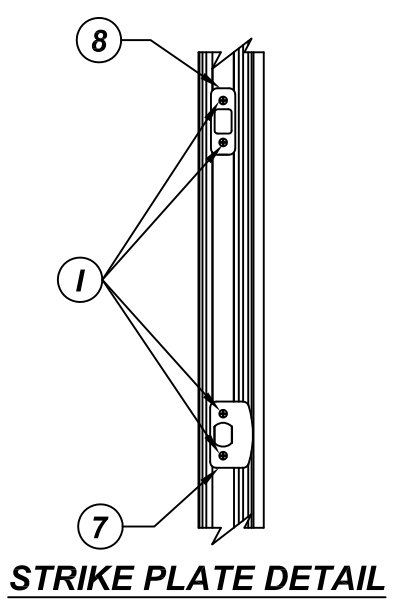
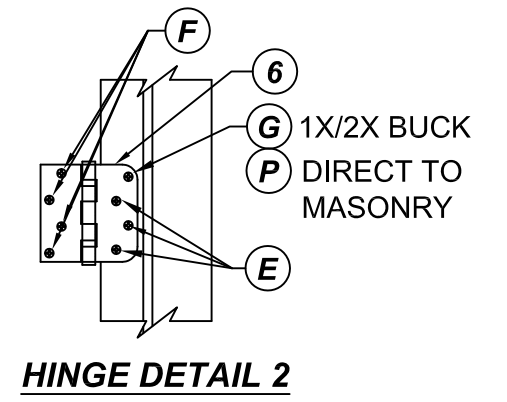
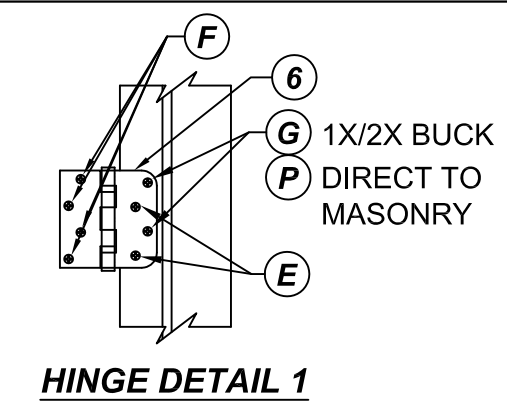
REVISIONS

NO.	DESCRIPTION	BY	DATE



DATE:	07.14.16
DWN BY:	LS
CHK BY:	HFN
SCALE:	NTS

DWG #: **FL-20867.6**
SHEET: **23 OF 28**



CONCRETE ANCHOR NOTES:

- Concrete anchor locations noted as "MAX ON CENTER" and at the corners must be adjusted to maintain min. edge distance to mortar joints. Additional concrete anchors may be required to ensure the "MAX ON CENTER" dimensions are not exceeded.
- Concrete anchor table:

ANCHOR TYPE	ANCHOR SIZE	MIN. EMBEDMENT	MIN. CLEARANCE TO MASONRY EDGE	MIN CLEARANCE TO ADJUSTMENT ANCHOR
ITW BUILDEX TAPCON®	1/4"	1-1/4"	2"	4"
ELCO ULTRACON®	1/4"	1-1/4"	1"	4"
ITW BUILDEX TAPCON®	3/16"	1-1/4"	3"	1-1/2"

WOOD SCREW INSTALLATION NOTES:

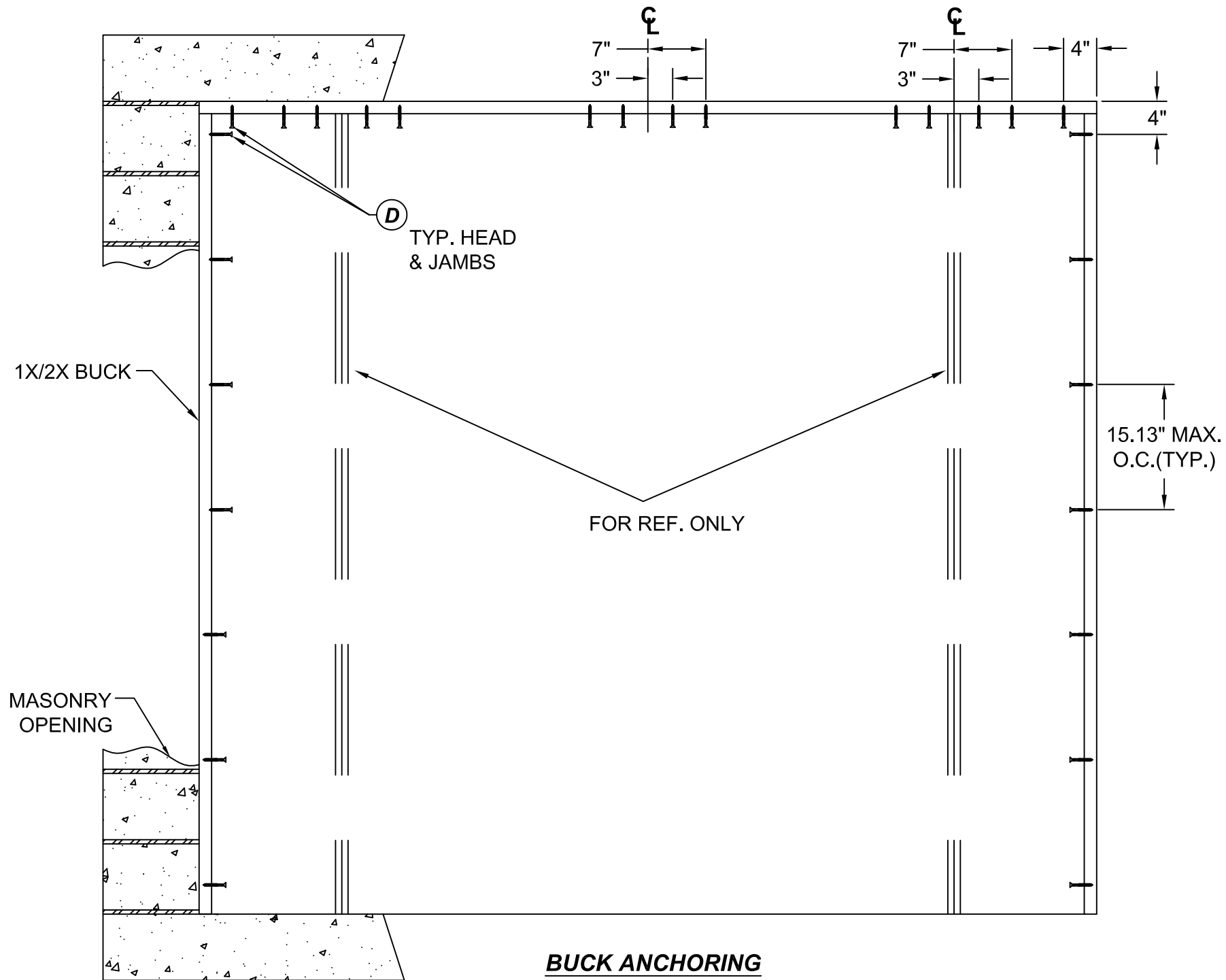
- Maintain a min. 5/8" edge distance, & 1" o.c. spacing of wood screws to prevent splitting of wood.

TITLE: OPAQUE FIBERGLASS DOOR
NON-IMP. INSWING/OUTSWING

BUCK ANCHORING

PREPARED BY:

BUILDING DROPS, INC.
398 E. DANIA BEACH BLVD. #338
DANIA BEACH, FL 33004
PH: (954) 399-8478 FX: (954) 744-4738



CONCRETE ANCHOR NOTES:

- Concrete anchor locations noted as "MAX ON CENTER" and at the corners must be adjusted to maintain min. edge distance to mortar joints. Additional concrete anchors may be required to ensure the "MAX ON CENTER" dimensions are not exceeded.
- Concrete anchor table:

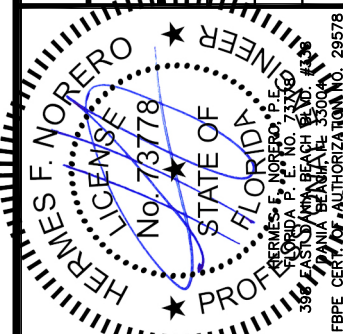
ANCHOR TYPE	ANCHOR SIZE	MIN. EMBEDMENT	MIN. CLEARANCE TO MASONRY EDGE	MIN CLEARANCE TO ADJUSTMENT ANCHOR
ITW BUILDEX TAPCON®	1/4"	1-1/4"	2"	4"
ELCO ULTRACON®	1/4"	1-1/4"	1"	4"
ITW BUILDEX TAPCON®	3/16"	1-1/4"	3"	1-1/2"

WOOD SCREW INSTALLATION NOTES:

- Maintain a min. 5/8" edge distance, & 1" o.c. spacing of wood screws to prevent splitting of wood.

REVISIONS

NO.	DESCRIPTION	BY	DATE



DATE: 07.14.16
DWN BY: LS
CHK BY: HFN
SCALE: NTS

DWG #: **FL-20867.6**

SHEET: **24 OF 28**

TITLE: OPAQUE FIBERGLASS DOOR
NON-IMP. INSWING/OUTSWING

FRAME ANCHORING

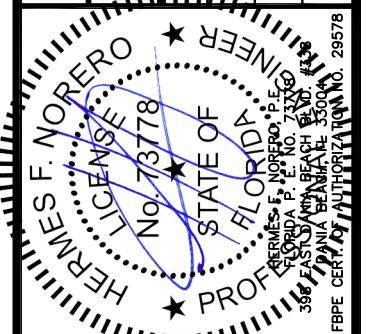
PREPARED BY:

BUILDING DROPS, INC.
398 E. DANIA BEACH BLVD. #338
DANIA BEACH, FL 33004

PH: (954) 399-8478 FX: (954) 744-4738

REVISIONS

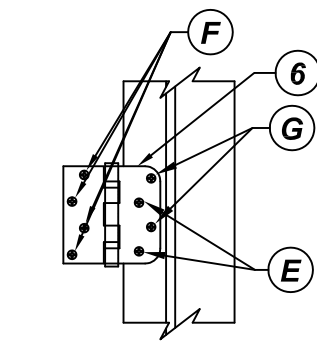
NO.	DESCRIPTION	BY	DATE



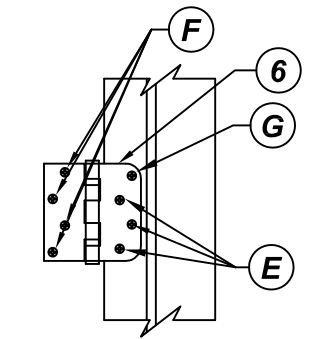
DATE: 07.14.16	DWN BY: LS	CHK BY: HFN	SCALE: NTS
-------------------	---------------	----------------	---------------

DWG #: **FL-20867.6**

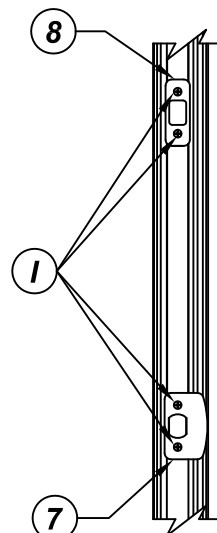
SHEET: **25 OF 28**



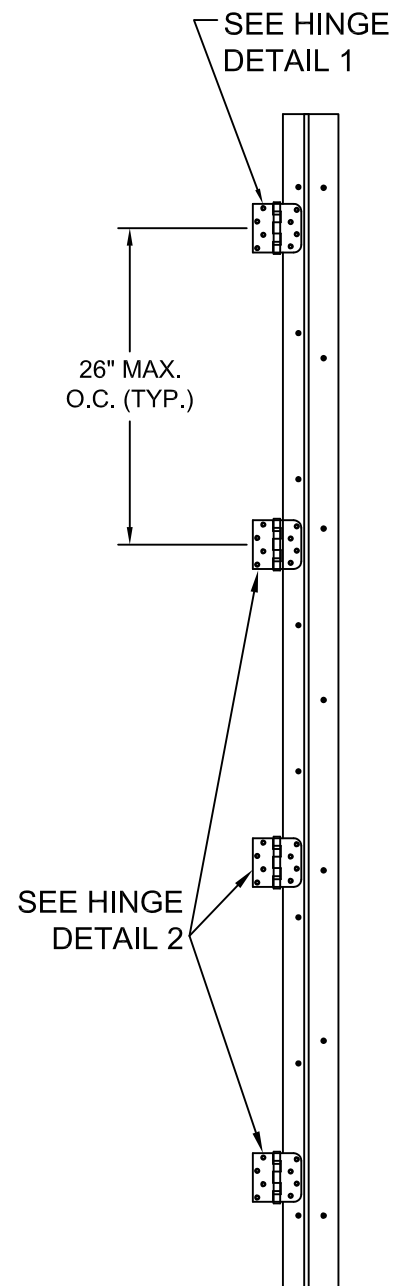
HINGE DETAIL 1



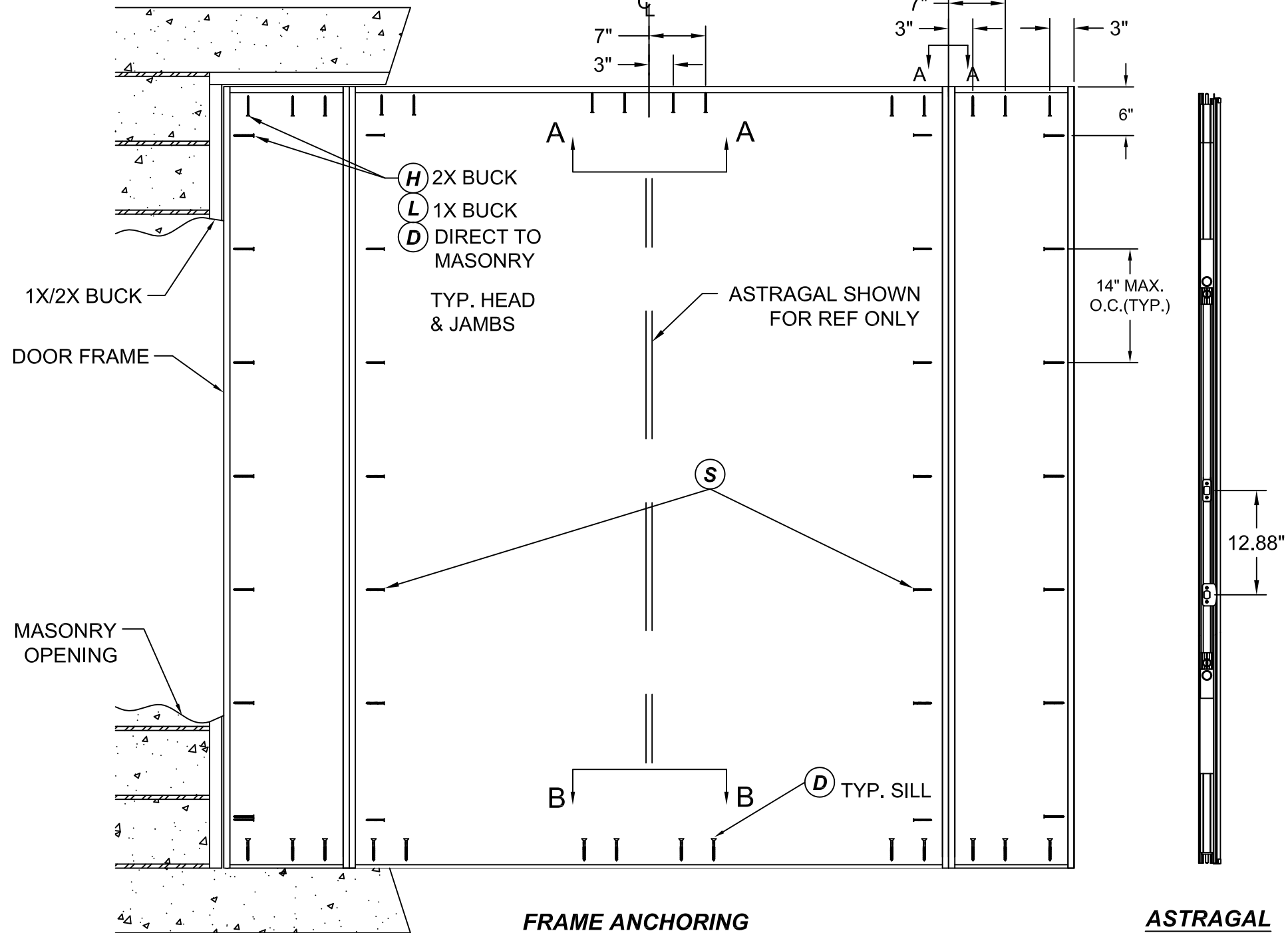
HINGE DETAIL 2



STRIKE PLATE DETAIL

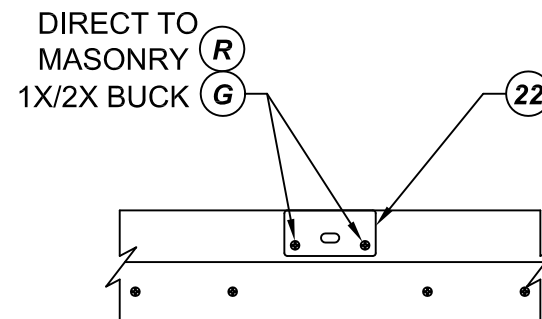


HINGE JAMB

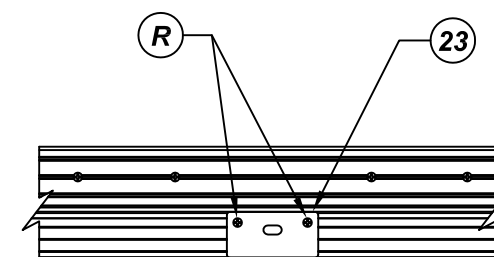


FRAME ANCHORING

Masonry construction



VIEW A-A
Astragal Strike @ Head



VIEW B-B
Astragal Strike @ Sill

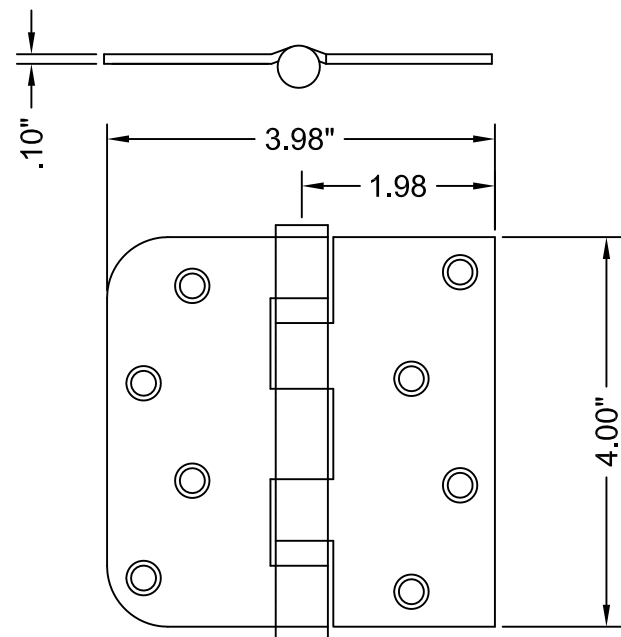
CONCRETE ANCHOR NOTES:

- Concrete anchor locations noted as "MAX ON CENTER" and at the corners must be adjusted to maintain min. edge distance to mortar joints. Additional concrete anchors may be required to ensure the "MAX ON CENTER" dimensions are not exceeded.
- Concrete anchor table:

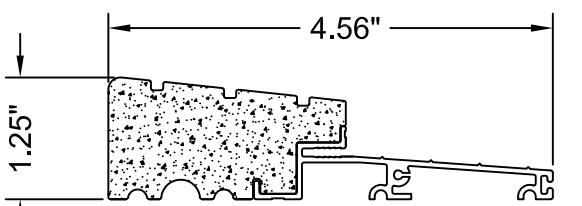
ANCHOR TYPE	ANCHOR SIZE	MIN. EMBEDMENT	MIN. CLEARANCE TO MASONRY EDGE	MIN CLEARANCE TO ADJUSTMENT ANCHOR
ITW BUILDDEX TAPCON®	1/4"	1-1/4"	2"	4"
ELCO ULTRACON®	1/4"	1-1/4"	1"	4"
ITW BUILDDEX TAPCON®	3/16"	1-1/4"	3"	1-1/2"

WOOD SCREW INSTALLATION NOTES:

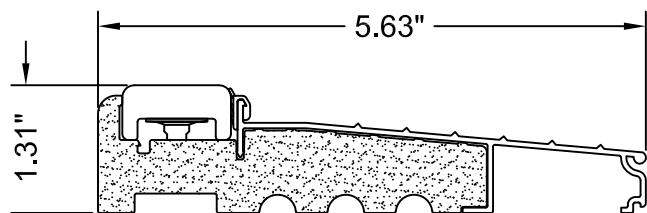
- Maintain a min. 5/8" edge distance, & 1" o.c. spacing of wood screws to prevent splitting of wood.



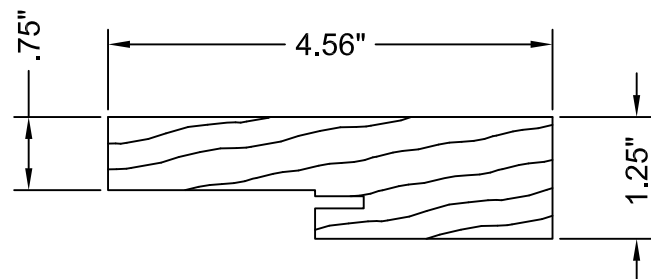
6 HINGE
MATERIAL: STEEL



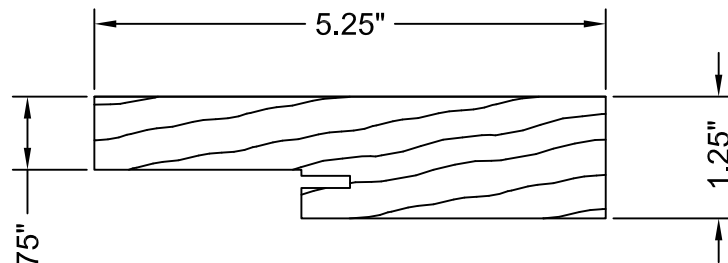
10 OUTSWING SILL
ALUMINUM WITH PVC SUBSTRATE



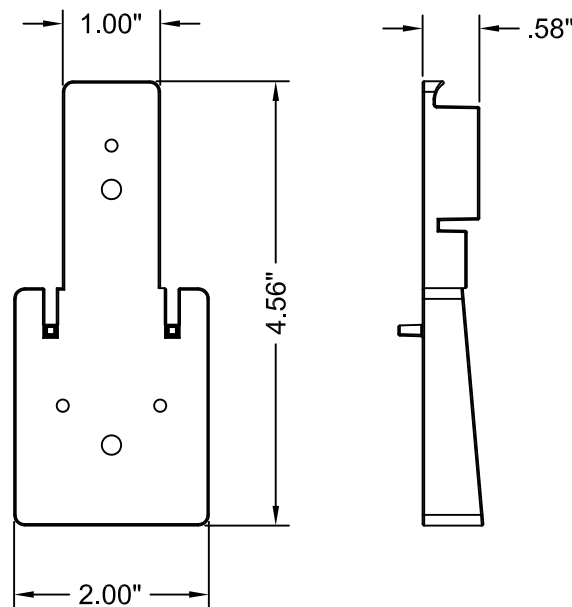
24 INSWING THRESHOLD
ALUMINUM WITH PVC SUBSTRATE



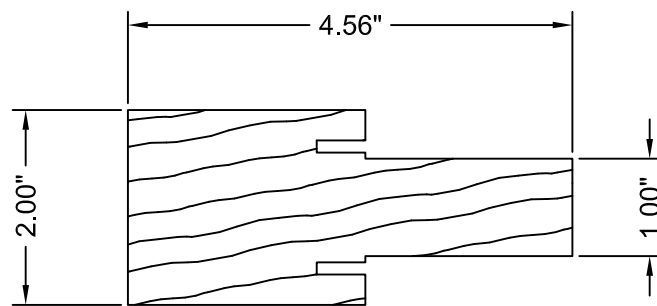
1 SIDE & HEAD JAMBS
MATERIAL: WOOD



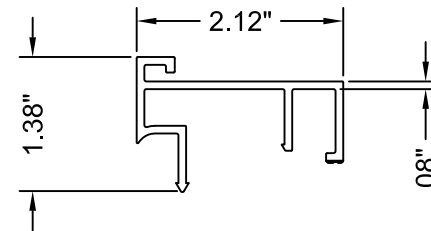
1A SIDE & HEAD JAMBS
(5-1/4" or larger)
MATERIAL: WOOD



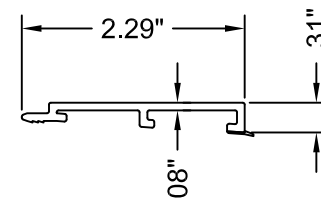
15 MULLION BASE KIT
OPTIONAL



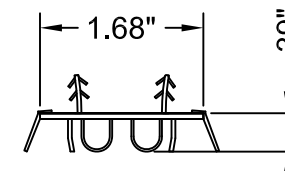
14 STANDARD MULLION
MATERIAL: WOOD



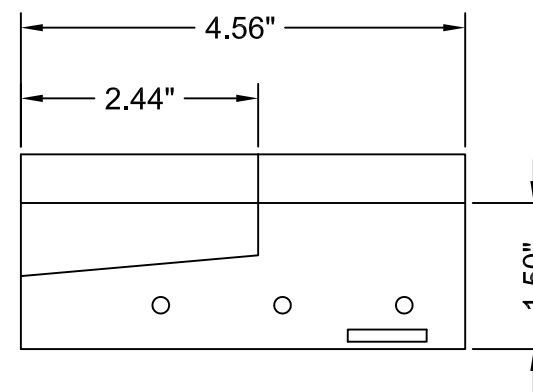
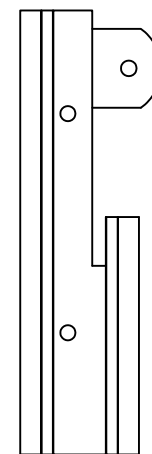
26 OUTSWING SIDELITE SPACER
MATERIAL: PVC



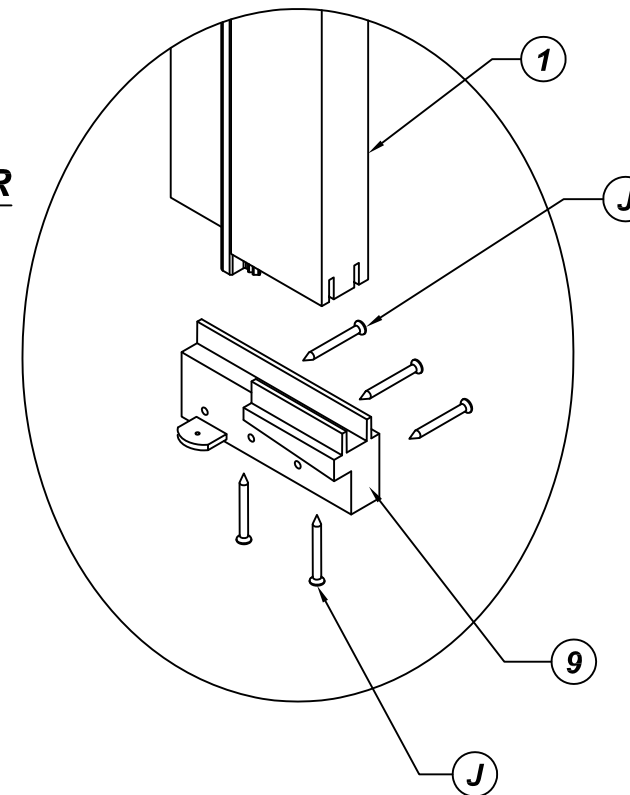
13 OUTSWING SIDELITE SPACER
MATERIAL: PVC



25 DOOR SWEEP
MATERIAL: PVC



9 SILL KEY DETAIL
OPTIONAL

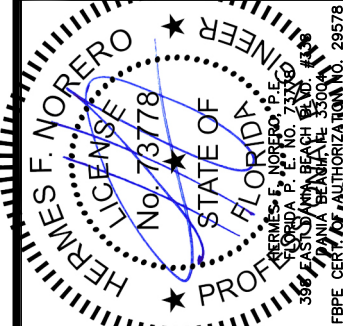


TITLE: OPAQUE FIBERGLASS DOOR
NON-IMP. INSWING/OUTSWING

COMPONENTS

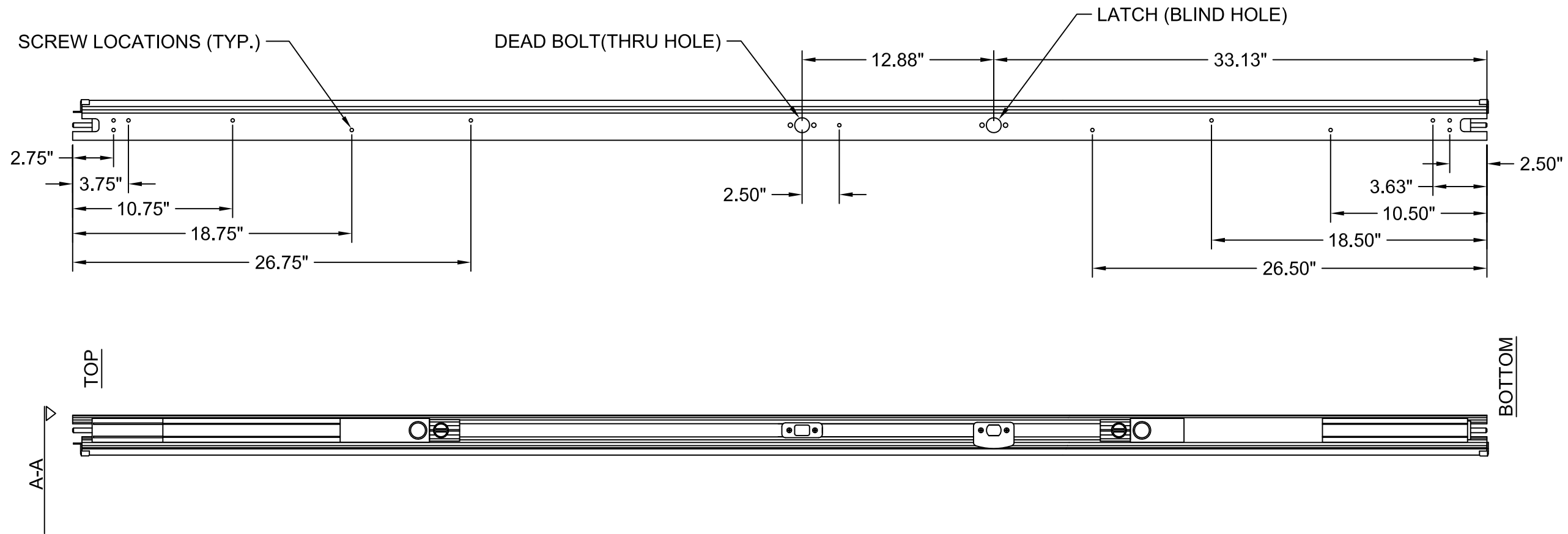
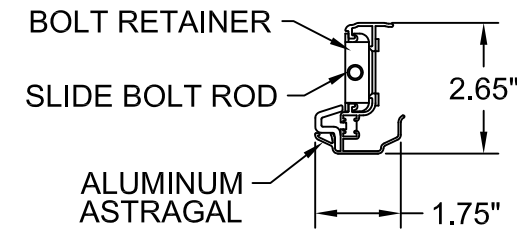
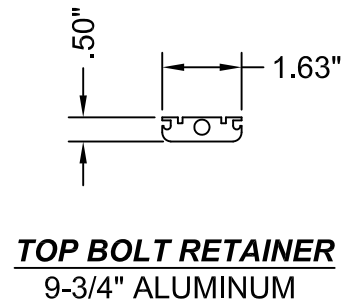
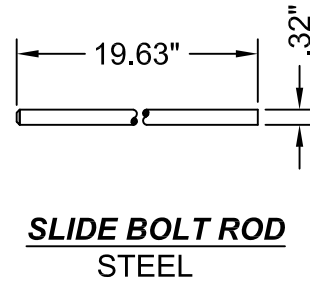
PREPARED BY:
BUILDING DROPS, INC.
398 E. DANIA BEACH BLVD. #338
DANIA BEACH, FL 33004
PH: (954) 399-8478 FX: (954) 744-4738

REVISIONS		NO.	DESCRIPTION	BY	DATE



DATE: 07.14.16
DWN BY: LS
CHK BY: HFN
SCALE: NTS

DWG #: **FL-20867.6**
SHEET: **26 OF 28**



20 ALUMINUM ASTRAGAL
Aluminum Astragal by Endura Products

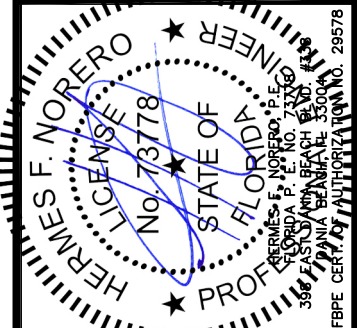
TITLE: OPAQUE FIBERGLASS DOOR
NON-IMP. INSWING/OUTSWING

COMPONENTS

PREPARED BY:
BUILDING DROPS, INC.
398 E. DANIA BEACH BLVD. #338
DANIA BEACH, FL 33004
PH: (954) 399-8478 FX: (954) 744-4738

REVISIONS

NO.	DESCRIPTION	BY	DATE



DATE: 07.14.16
DWN BY: LS
CHK BY: HFN
SCALE: NTS

DWG #: **FL-20867.6**

SHEET: **27 OF 28**

BILL OF MATERIAL

ITEM #	DESCRIPTION	MATERIAL
A	1X BUCK SG>=0.55	WOOD
B	2X BUCK SG>=0.55	WOOD
C	1/4" MAX. SHIM SPACE	-
D	1/4" X 2-3/4" PFH ELCO OR ITW CONCRETE SCREW	STEEL
E	#9 X 3/4" PFH WS	STEEL
F	#9 X 1" PFH WS	STEEL
G	#9 X 2-1/4" PFH WS	STEEL
H	#10 X 2-1/2" PFH WS	STEEL
I	#8 X 2" PFH WS	STEEL
J	#6 X 1-1/4" DRYWALL SCREW	STEEL
K	MASONRY - 3,000 PSI MIN. CONCRETE CONFORMING TO ACI 301 OR HOLLOW BLOCK CONFORMING TO ASTM C90	CONCRETE
L	1/4" X 3-3/4" PFH ELCO OR ITW CONCRETE SCREW	STEEL
M	1/4" X 3-1/4" PFH ELCO OR ITW CONCRETE SCREW	STEEL
N	3/16" X 3-1/4" PFH ELCO OR ITW CONCRETE SCREW	STEEL
O	#8 X 2-1/2" PFH WS	STEEL
P	3/16" X 2-1/4" PFH ELCO OR ITW CONCRETE SCREW	STEEL
Q	#8 X 1" PFH WS	STEEL
R	3/16" X 2-3/4" PFH ELCO OR ITW CONCRETE SCREW	STEEL
S	#8 X 2 1/4" PFH WS	STEEL
1	JAMB (FINGER-JOINT PINE - SG>=0.42)	WOOD
1A	JAMB (FINGER-JOINT PINE - SG>=0.42)	WOOD
5	WEATHER STRIP QEBD650 Q-LON	-
6	3.98" X 4.0" HINGE MIN 0.098" MIN THICK	STEEL
7	STRIKE PLATE	STEEL
8	DEADBOLT PLATE	STEEL
9	SILLKEY	PC/ASA
10	OUTSWING SILL - ALUMINUM WITH PVC SUBSTRATE	ALUM./PVC
11	DOOR PANEL - SEE DOOR PANEL CONSTRUCTION DETAILS SHEET	-
12	SIDELITE PANEL - SEE SIDELITE PANEL CONSTRUCTION DETAILS SHEET	-
13	OUTSWING SIDELITE SPACER	PVC
14	STANDARD MULLION (FINGER JOINT PINE SG>=0.42)	WOOD
15	MULLION BASE KIT	PC/ASA
20	ALUMINUM ASTRAGAL BY ENDURA PRODUCTS	ALUMINUM
22	ASTRAGAL STRIKE @ HEAD	STEEL
23	ASTRAGAL STRIKE @ SILL	STEEL
24	INSWING SILL - ALUMINUM WITH PVC SUBSTRATE	ALUM./PVC
25	DOOR SWEEP	PVC
26	INSWING SIDELITE SPACER	PVC



TRINITY GLASS INTERNATIONAL
3365 1ST WAY S
FEDERAL WAY, WA 98003
PH: (253) 875-7300

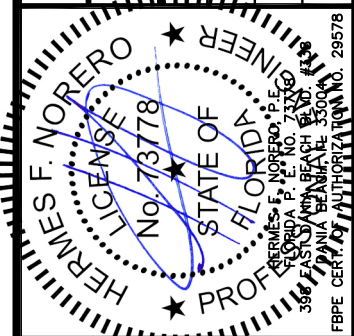
TITLE: OPAQUE FIBERGLASS DOOR
NON-IMP. INSWING/OUTSWING

BILL OF MATERIALS

PREPARED BY:
BUILDING DROPS, INC.
398 E. DANIA BEACH BLVD. #338
DANIA BEACH, FL 33004
PH: (954) 399-8478 FX: (954) 744-4738

REVISIONS

NO.	DESCRIPTION	BY	DATE



DATE: 07.14.16
DWN BY: LS
CHK BY: HFN
SCALE: NTS

DWG #: **FL-20867.6**

SHEET: **28 OF 28**